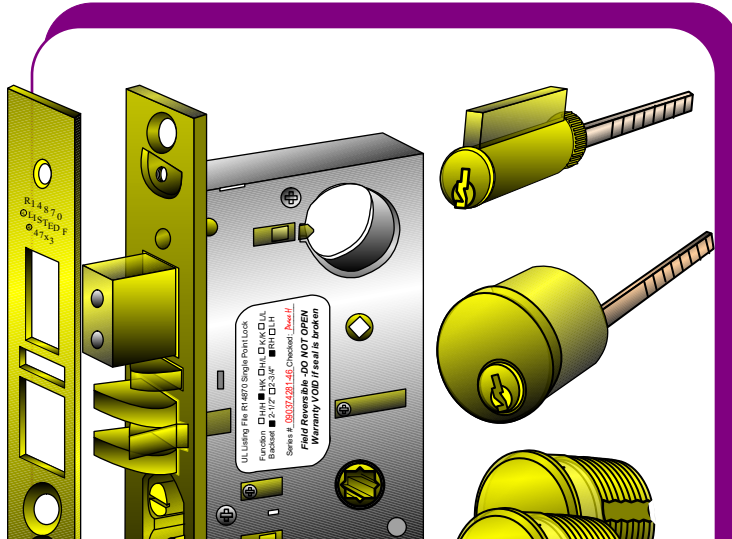


baton[®]

Security Products since 1973



**Catalogue
2024.14
Decorative
Door
Hardware**

Chapter A

- 'A' Mortise Lock Cases
- Roller Latch Lock Case
- Barn & Pocket Lock
- Electrified & Holdback
- Upside down & Deadlock
- Mortise Cylinders
- Trim sets
- Spindles

Baton Security Products
11521 Salinaz Drive,
Garden Grove,
CA 92843 USA

Tel: (714) 590 6969
Fax: (714) 590 6960

Tooling, manufacturing as well as purchasing stock items are additional benefits of doing business with Baton.

www.batonlockusa.com www.batonhardware.com

Email : Sales@batonlockusa.com

Terms and Freight Policy -

All prices are based on FOB our warehouse. Net 30 days can be arranged upon approval on open account others will be prepaid. Any past due account is subject to a financial charge at 1.5% on unpaid balance billed monthly. No further shipment will be honored until account is brought back to current. Service charges will apply to all the returned checks. Unless you specify otherwise, will use a carrier and route of our choice. Claim for loss or damage in transit should be made by you against the carrier. All goods are shipped at the customers risk; our responsibility ceases upon delivery in good order to the carrier.

Receipt and Return Goods Policy -

All goods are shipped and invoiced FOB our warehouse plus the freight costs. Unless you specify otherwise, we will use a common carrier and route of our choice. Special arrangement may be available and subject to our final confirmation. To protect your interest, it is suggested that to file the damage report with the carrier upon reception of damaged or open shipment.

Any discrepancy regarding the shipment must be claimed within 5 days after merchandise received. A RGA number must be obtained from our CSR prior to the merchandise returned. The RGA number is valid for 2 weeks from the date issued. All returns must be in original packaging and saleable condition. A 25% restocking charge and freight will apply to all goods returned within 60 days from date of invoice. A 35% restocking charge and freight will apply to all goods returned after 60 days from date of invoice. No merchandise held over 120 days from the date of invoice will be accepted for return. No returns will be accepted on special ordered, custom made or non-stock item, other than factory defect.

Orders and Cancellations -

Order and/or cancellations will not be processed without written confirmation from customer. Any order shipped before written request of cancellation or change is received will incur handling charges as stated above. Special orders and custom made items are not cancelable after a period of 3 days from date of order. Partial orders shall be accepted by the customer and paid for at the contract prices and terms. Order received by Baton constitute acceptance of terms outlined in this document. Baton is not responsible for any loss or damage due to delays or extended delivery dates of goods.

Limited Warranty -

Baton warrants that its products will be free from defects in materials and workmanship (excluding oxidation or discoloration) for a period of one year from the date of sales to the user. Our only obligation will be to replace the defective product or parts upon inspection, together with proof of purchase from one of our agents dated within the warranty period. **We assume no liability for any labor charges regarding the removal or reinstallation of the products; nor will we cover any freight, postage, traveling or handling expense relative to the product. Damage caused by accident, misuse, abuse or improper installation are not covered by this warranty. Except as expressly stated herein, there is no warranty, whether expressed or implied, provided by Baton. No other person has authority to assume any obligation or liability in addition to this warranty.**

Validity and Special Note -

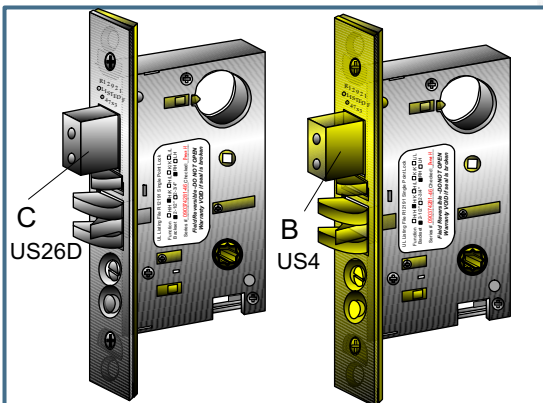
This catalogue with Price List enclosed is good for six (6) months from the date issued and supersedes all previous catalogues and Price Lists. Baton is not responsible for any typographic errors or errors in indication.

Baton's patented mortise lock is engineered for durability and optimum security. All lock cases are constructed with quality metal working parts, ensuring the long lasting and trouble free operation.

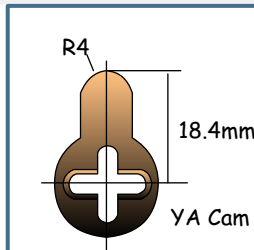
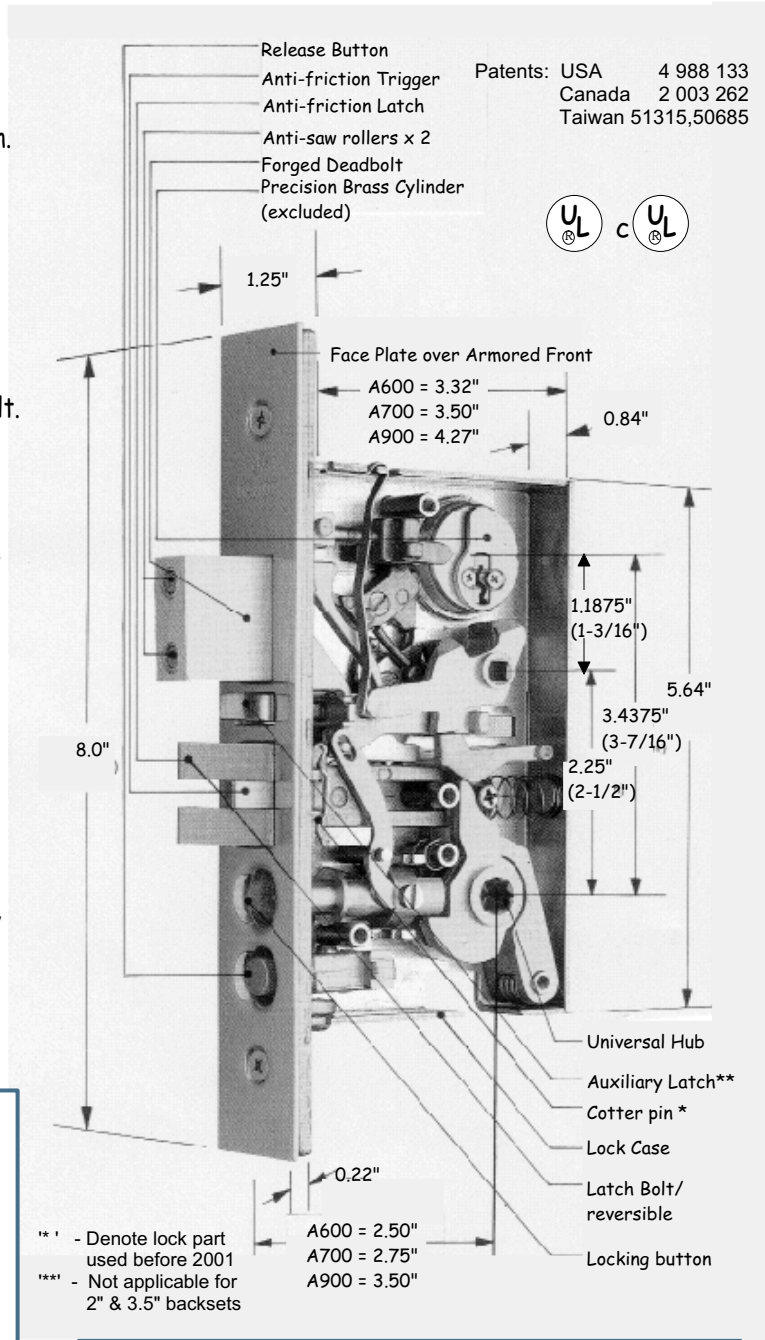
Series A500 2" backset Mortise Lock case (illustrated page A02) has a unique design. It features a stainless steel latch bolt and a full 1" throw solid stainless steel deadbolt. The exposed metal buttons are well finished to match the appearance of the stainless steel latch and deadbolt.

Locks of 2-3/8", 2-3/4" and 3-1/2" backsets (see illustrated right) are equipped with a mechanical anti-friction latch bolt and a full 1" throw deadbolt with two hardened steel rollers for maximum security. The exposed parts (Deadbolt, Latch Bolt, Auxiliary Latch and Buttons) are made of forged brass. Two finishes, satin chrome (US26D) and satin brass (US4) are available, provide options of matching the various finishes of the Face Plate, Strike and Trims.

One common mortise lock case for Knob/Knob (KK), Lever/Lever (LL), Grip Handle/Knob (HK), Grip Handle /Lever (HL) and Grip Handle/Grip Handle (HH) trims. Please refer to pages T03 to T24 for the available trims.



Exposed parts in backsets 2.5", 2.75" and 3.5" can be ordered in US4 (B) or US26D (C) finishes. Specify when ordering.



Remark:
Series A600, A700 & A900 Mortise Lock Case works with Baton Series 'AC' Mortise Cylinders, or the similar cylinder that is formed with a 'YA' type cam.

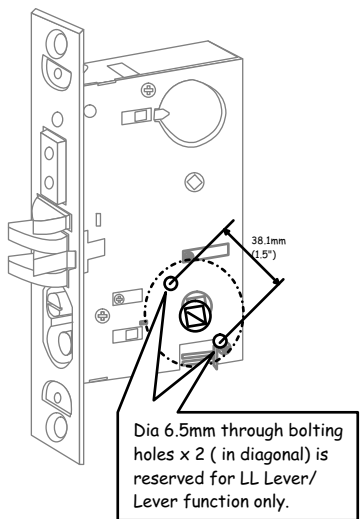
Series 'A' Heavy Duty Mortise Door Lock Case

Series A500 the 2" backset Mortise Lock case takes any standard Mortise Cylinder (1.15"-32uns-2b) that is formed with a 'C2' type cam. Series A600/2.5" backset, A700/2.75" backset and A900/3.5" backset mortise lock cases take any standard Mortise Cylinder (1.15" uns-2b) that is formed with a 'Y' type cam.

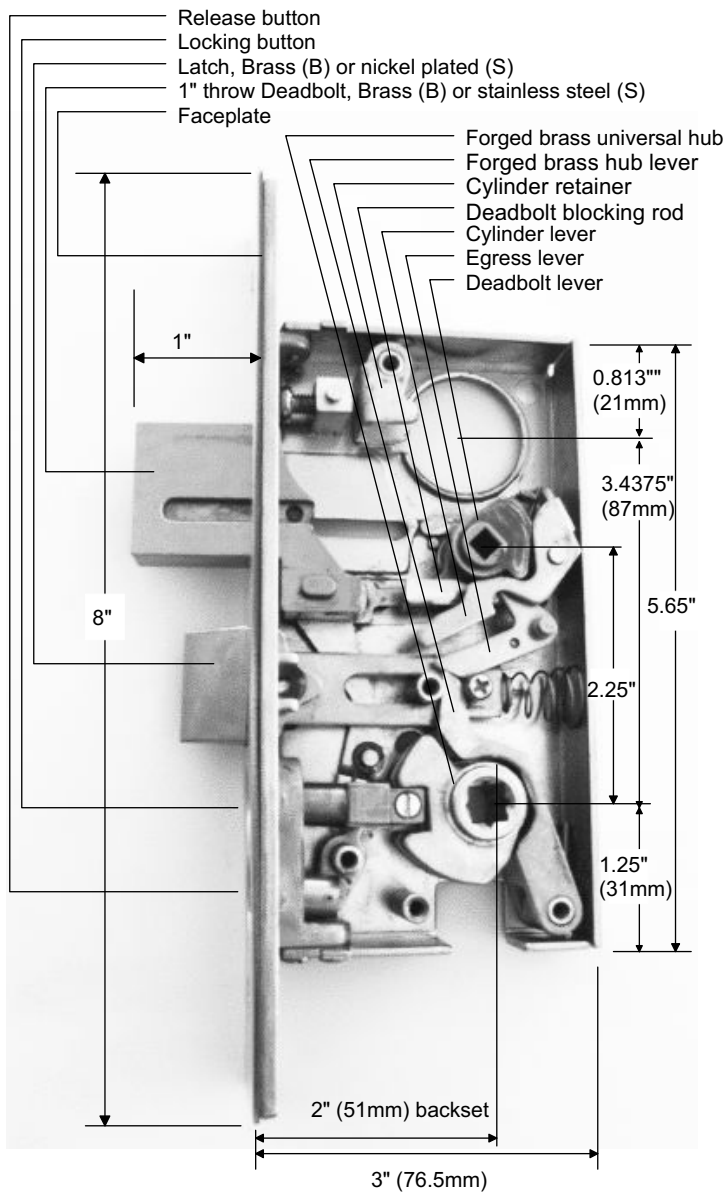
The non-handed, field-reversible lock case design plus the outstanding field-exchangeable universal hub, 7.0mm, 7.3mm or 8mm, on diamond or square, for major entrance locks, allows orders to be filled quickly at the distributor level from stock on hand.

The Baton Series A600 & A700 Mortise Locks are UL and ULC listed for use on 3 hour, A label doors, 4' x 8' single or 8' x 8' pairs, and can be specified for application in custom homes, offices, hotels, schools, as well as commercial buildings. Please see pages A03 to A08 for ANSI and special functions available.

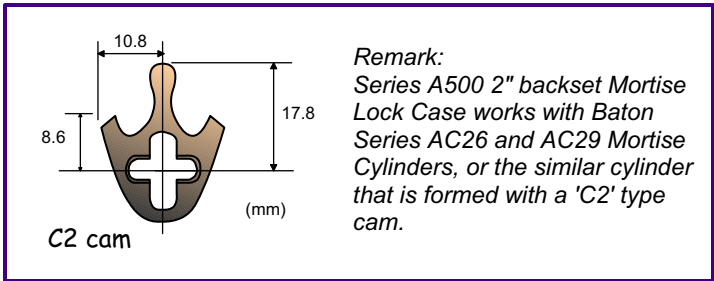
One 1-1/4" (32mm) wide Face Plate, 1-1/4" (Lip to Center) Strike, Dust Box and Mounting Hardware are furnished as standard. Narrow Strike, Extended Strikes and heavy duty Security Strikes are available to purchase separately. Please see page A10.



A520KK 2" backset illustrated


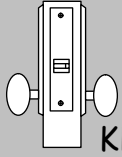
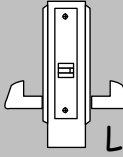

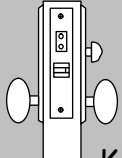
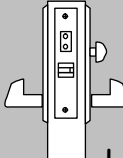
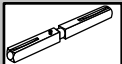
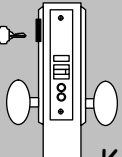
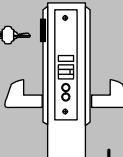
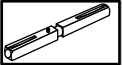
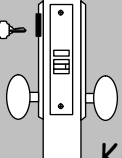
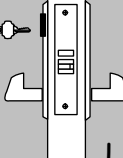
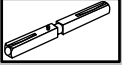
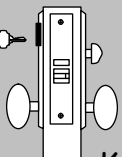
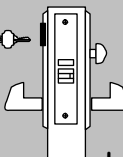
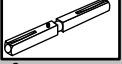
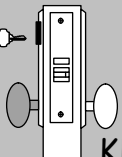
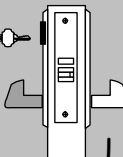
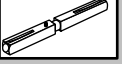
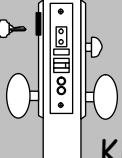
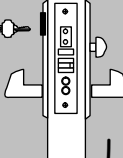
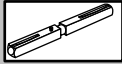

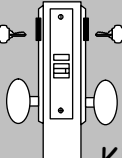
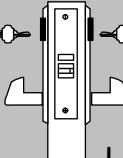


A02

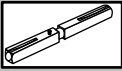
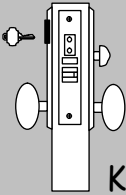
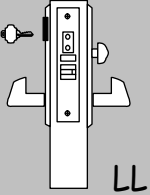
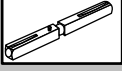
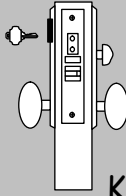
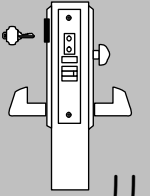
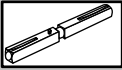
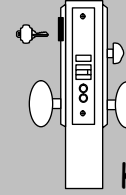
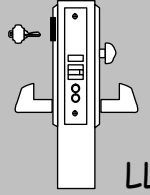
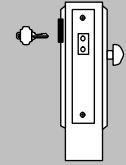
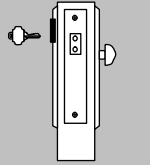
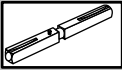
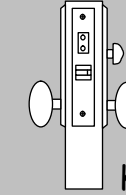
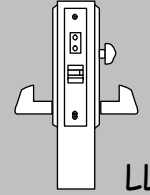
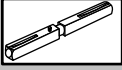
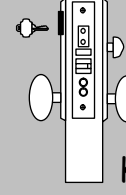
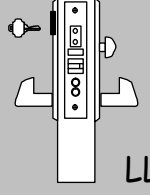


Series 'A' Mortise Lock Function Chart- 1

A03

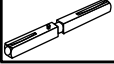
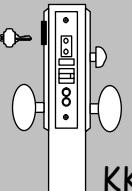
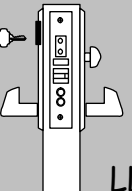
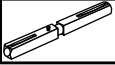
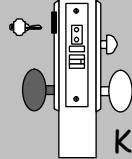
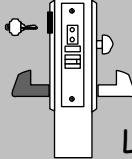
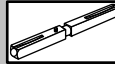
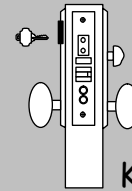
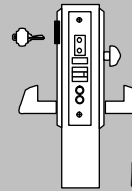
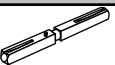
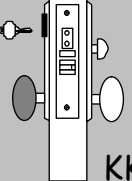
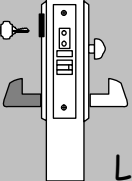
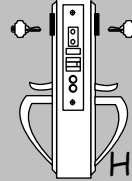
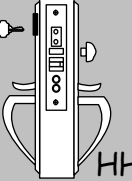
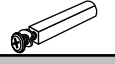
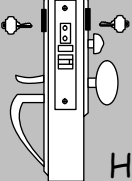
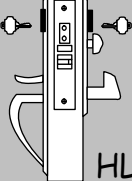
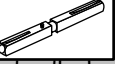
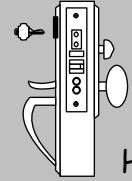
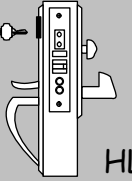
Model No	Backset	ANSI Code	Function	Depiction	Specify Trim style to fit when ordering
A 501 A 601 A 701 A 901	2" 2.5" 2.75" 3.5"	F 01	PASSAGE  Latch operated by knob/lever from either side at all times.	 KK  LL	
A 502 A 602 A 702 A 902	2" 2.5" 2.75" 3.5"	F 02	BATHROOM (without egress)  Latch operated by knob/lever from either side. Deadbolt operated by turn piece inside, and by emergency release from outside.	 KK  LL	
A 604 A 704	2.5" 2.75"	F 04	OFFICE / CORRIDOR  Latch by knob/lever from either side except when outside knob/lever is locked by locking button in front; then by key outside or by knob/lever inside. Auxiliary latch * deadlocks latch.	 KK  LL	
A 605 A 705	2.5" 2.75"	F 05	CLASSROOM  Latch operated by knob/lever from either side except when outside knob/lever is locked by key; then unlock by key from outside and retracted by knob/lever from either side. Inside knob/lever always free. Auxiliary latch deadlocks latch.	 KK  LL	
A 606 A 706	2.5" 2.75"	F 05	CLASSROOM plus (with inside T turn)  Latch operated by knob/lever from either side except when outside knob/lever is locked by key or by inside thumb turn; then unlock by key from outside or by thumb turn from inside and retracted by knob/lever from either side. Inside knob/lever always free. Auxiliary latch deadlocks latch.	 KK  LL	
A 607 A 707 A 907	2.5" 2.75" 3.5"	F 07	STOREROOM  Latch operated by knob/lever from inside, by key from outside. Outside knob/lever is always inoperative. Auxiliary latch * deadlocks latch.	 KK  LL	
A 508 A 608 A 708 A 908	2" 2.5" 2.75" 3.5"	F 08	ENTRANCE ** (without egress)  Latch by knob/lever from either side except when outside is locked by locking button; then by key from outside, by knob/lever from inside. Deadbolt by turn piece from inside, by key from outside. Auxiliary latch * deadlocks latch.	 KK  LL	
A 609 A 709	2.5" 2.75"	F 09	VESTIBULE / PUBLIC TOILET  Latch operated by knob/lever from either side except when outside knob/lever is locked by inside key. Outside key or inside knob/lever retracts latch when locked. Auxiliary latch deadlocks latch. ('V1' cam for outside cylinder included) 	 KK  LL	

*' Auxiliary latch for 2" & 3.5" backset lock cases are not applicable. '**' Applies for Single and Double cylinders

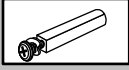
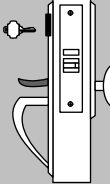
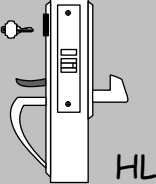
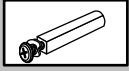
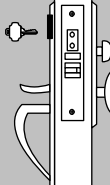
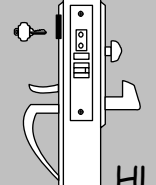
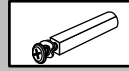
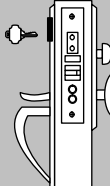
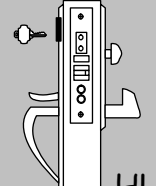
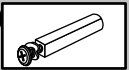
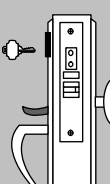
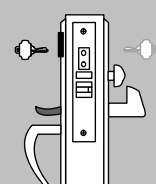
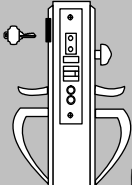
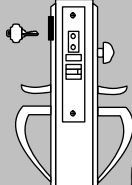
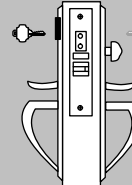
Model No	Backset	ANSI Code	Function	Depiction	Specify trim style to fit when ordering
A 511 A 611 A 711 A 911	2" 2.5" 2.75" 3.5"	F 11	DORMITORY ** (without egress) Latch by knob/lever from either side except when projected deadbolt locks outside/inside knobs and deadbolt. Deadbolt by key outside, by turn piece inside, automatically unlocking outside/inside knob/lever. Latch deadlocked by auxiliary latch* or deadbolt.		 KK  LL
A 513 A 613 A 713 A 913	2" 2.5" 2.75" 3.5"	F 13	DORMITORY (with egress) Latch by knob/lever on either side except when projected deadbolt locks outside knob/lever and deadlocks latch. Deadbolt and latch by key outside. Deadbolt by turn piece inside. Inside knob/lever retracts latch and deadbolt simultaneously, automatically unlocking outside knob/lever. Auxiliary latch* deadlocks latch.		 KK  LL
A 516 A 616 A 716 A 916	2" 2.5" 2.75" 3.5"		ENTRANCE (with egress, handed) Latch bolt operated by knob/lever from either side except when outside lever/knob is locked by inside turn or Stop Button, then latch by key from outside. Inside knob/lever retracts latch, automatically unlocking outside knob/lever. Auxiliary latch* deadlocks latch. Stop button relocks outside knob/lever.		 KK  LL <i>Specify handing when ordering.</i>
A 517 A 617 A 717 A 917	2" 2.5" 2.75" 3.5"	F 17	DEADLOCK ** Deadbolt by key from outside and turn piece from inside.		 KK  LL
A 519 A 619 A 719 A 919	2" 2.5" 2.75" 3.5"	F 19	PRIVACY (with egress) Latch by knob/lever from either side. Deadbolt by turn piece from inside and emergency release outside. Inside knob/lever retracts latch and deadbolt simultaneously, automatically unlocking outside knob/lever.		 KK  LL
A 520 A 620 A 720 A 920	2" 2.5" 2.75" 3.5"	F 20	ENTRANCE (with egress) Latch by knob/lever from either side except when outside is locked by locking button or projected deadbolt. Latch deadlocked by auxiliary latch* or deadbolt. Deadbolt and latch by key outside. Deadbolt by turn piece inside. Inside knob/lever retracts latch & deadbolt simultaneously. Release button unlocks outside knob/lever when deadbolt is withdrawn.		 KK  LL

* Auxiliary latch for 2" & 3.5" backset lock cases are not applicable. ** Applies for Single or Double cylinders

A05

Model No	Backset	ANSI Code	Function	Depiction	Specify trim style to fit when ordering
A 520 A 620 A 720 A 920	2" 2.5" 2.75" 3.5"	F 20	ENTRANCE (with egress) Latch by knob/lever from either side except when outside is locked by locking button or projected deadbolt. Latch deadlocked by auxiliary latch* or deadbolt. Deadbolt and latch by key outside. Deadbolt by turn piece inside. Inside knob/lever retracts latch & deadbolt simultaneously. Release button unlocks outside knob/lever when deadbolt is withdrawn.	  	KK LL
A 521 A 621 A 721 A 921	2" 2.5" 2.75" 3.5"		ENTRANCE (For Electric Clutched Trim) Same function as 620/720 but without Stop and Release Button. Outside lever/knob is always incorporated unless electric clutched on outside Knob/Lever with authority.	  	KK LL
A 622 A 722 A 922	2.5" 2.75" 3.5"	F 20	ENTRANCE PLUS (with egress) Latch by knob/lever from either side except when outside is locked by Locking button or projected deadbolt. Latch deadlocked by auxiliary latch* or deadbolt. Deadbolt and latch by key outside. Deadbolt by turn piece inside. Inside knob/lever retracts latch & deadbolt simultaneously and automatically unlocking outside knob/lever. Locking button relocks outside knob/lever.	  	KK LL Specify handing when ordering
A 523 A 623 A 723 A 923	2" 2.5" 2.75" 3.5"		PUBLIC ENTRANCE/DORMITORY (w/egress) Deadbolt and latch by key outside. Deadbolt by turn piece inside. Inside Knob/Lever retracts latch and deadbolt simultaneously. Outside Knob/Lever always rigid. Latch deadlocked by auxiliary latch* or deadbolt.	  	KK LL
A 525 A 625 A 725 A 925	2" 2.5" 2.75" 3.5"	F 25	ENTRANCE ** (without egress) Latch by thumb piece from either side except outside thumb piece is locked by Locking button. Deadbolt by key from either side when double cylinder is applied; or deadbolt by key from outside and by turn piece from inside when single cylinder is applied. Auxiliary latch* deadlocks latch.	 	HH HH
A 527 A 627 A 727 A 927	2" 2.5" 2.75" 3.5"	F 25	DORMITORY ** (without egress) Latch by thumb piece from outside knob/lever inside except when projected deadbolt. Latch deadlocked by auxiliary latch* or deadbolt. Deadbolt by key from outside by T piece from inside, automatically unlocking outside thumb piece.	  	HK HL
A 628 A 728 A 928	2.5" 2.75" 3.5"		ENTRANCE (with egress) Latch by thumb piece outside except when outside is locked by stop button or projected deadbolt. Latch deadlocked by auxiliary latch* or deadbolt. Deadbolt and latch by key from outside. Deadbolt by turn piece from inside. Inside knob/lever retracts latch & deadbolt simultaneously, automatically unlocking outside knob/lever. Stop button relocks outside thumb piece.	  	HK HL

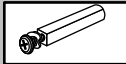
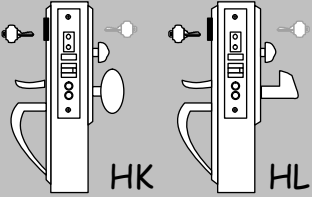
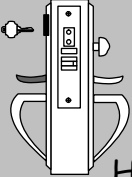
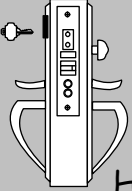
*** Auxiliary latch for 2" & 3.5" backset lock cases are not applicable. **** Applies for Single or Double cylinders

Model No	Backset	ANSI Code	Function	Depiction	Specify Trim style to fit when ordering
A 630 A 730	2.5" 2.75"		ENTRANCE/ELECTRIC STRIKE Latch by Inside knob/lever and key outside. Outside thumb piece is always rigid. Auxiliary Latch* deadlocks latch bolt. Deadbolt is optional.	  	HK HL
A 531 A 631 A 731 A 931	2" 2.5" 2.75" 3.5"		DORMITORY (with egress) Latch by thumb piece from outside except when projected deadbolt. Latch deadlocked by auxiliary latch* or deadbolt. Deadbolt/latch by key from outside. Deadbolt by T piece from inside. Inside knob/lever retracts latch/deadbolt simultaneously, automatically unlocking outside thumb piece.	  	HK HL
A 532 A 632 A 732 A 932	2" 2.5" 2.75" 3.5"		ENTRANCE (with egress) Latch by thumb piece outside except when outside is locked by Locking button or projected deadbolt. Latch deadlocked by auxiliary latch* or deadbolt. Deadbolt and latch by key from outside. Deadbolt by turn piece from inside. Inside knob/lever retracts latch & deadbolt simultaneously.	  	HK HL
A 534 A 634 A 734 A 934	2" 2.5" 2.75" 3.5"		PUBLIC ENT/ELECTRIC STRIKE** (w/o egress) Latch by Inside knob/lever and key outside. Deadbolt by turn piece from inside, by key from outside. Outside thumb piece is always rigid. Auxiliary Latch* deadlocks latch bolt. Electric Strike or inside solenoid release button works only when deadbolt is withdrawn.	  	HK HL
A 535 A 635 A 735 A 935	2" 2.5" 2.75" 3.5"		ENTRANCE (with egress) Latch by thumb piece outside except when outside is locked by Locking button or projected deadbolt. Latch deadlocked by auxiliary latch* or deadbolt. Deadbolt and latch by key from outside. Deadbolt by turn piece inside. Inside thumb piece retracts latch and deadbolt simultaneously.		HH
A 536 A 636 A 736 A 936	2" 2.5" 2.75" 3.5"		DORMITORY (with egress) Latch by thumb piece outside except when projected deadbolt. Latch deadlocked by auxiliary latch* or deadbolt. Deadbolt and latch by key outside. Deadbolt by turn piece inside. Inside thumb piece retracts latch and deadbolt simultaneously, automatically unlocking outside thumb piece.		HH
A 537 A 637 A 737 A 937	2" 2.5" 2.75" 3.5"		DORMITORY (without egress) Latch by Thumb Piece from either side except when projected deadbolt locks outside/inside Thumb Piece and deadbolt. Deadbolt by key outside, by turn piece inside, automatically unlocking outside/inside knob/lever. Latch deadlocked by auxiliary latch* or deadbolt.		HH

* Auxiliary latch for 2" & 3.5" backset lock cases are not applicable *** Applies for Single or Double cylinders. The above charts list the most common functions and their variations within each of the lock lines. Special function may be available. Please call Baton's CSR for availability.

**Series 'A' Mortise Lock
Function Chart- 5**

A07

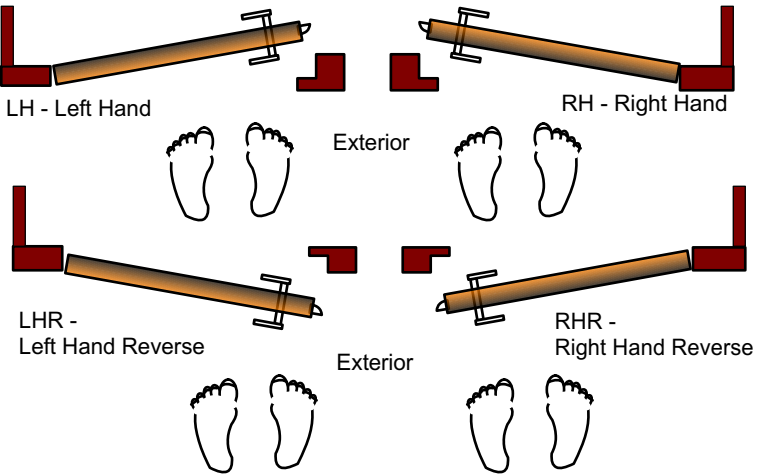
Model No	Backset	ANSI Code	Function	Depiction	Specify trim style to fit when ordering
A 538 A 638 A 738 A 938	2" 2.5" 2.75" 3.5"		ENTRANCE ** (without egress)  Latch by knob/lever inside and by thumb piece outside except when outside is locked by Locking button or projected deadbolt. Latch deadlocked by auxiliary latch* or deadbolt. Deadbolt and latch by key outside. Deadbolt by turn piece inside.		HK HL
A 639 A 739	2.5" 2.75"		PUBLIC ENTRANCE / DORMITORY (with egress) Deadbolt and latch by key outside. Deadbolt by turn piece inside. Inside thumb piece retracts latch and deadbolt simultaneously. Outside thumb piece always rigid. Latch deadlocked by auxiliary latch* or deadbolt.		HH
A 545 A 645 A 745 A 945	2" 2.5" 2.75" 3.5"		ENTRANCE (with egress) Latch by thumb piece outside except when outside is locked by Locking button or projected deadbolt. Latch deadlocked by auxiliary latch* or deadbolt. Deadbolt and latch by key from outside. Deadbolt by turn piece inside. Inside thumb piece retracts latch and deadbolt simultaneously, and automatically unlocking outside thumb piece. Locking button relocks outside thumb piece.		HH

* Auxiliary latch for 2" & 3.5" backset lock cases are not applicable. ** Applies for Single or Double cylinders

The above charts list the most common functions and their variations within each of the lock lines. Special function may be available. Please call Baton's CSR for availability.

Handing of doors

The hand of the door is always determined from outside. Face the door and swing the door into left side of the room is left-hand (LH); swing out to the left is Left-hand reverse (LHR). Face the door and swing the door into right side of the room is Right-hand (RH); swing out to the right side of the room is Right-hand reverse (RHR).



Baton series 'A' Mortise lock cases of the Storeroom function (without deadbolt) and Dormitory function (with deadbolt) are available to order with electrified operation; and are applicable both for single and double cylinders. Special function may be available. Please call Baton's CSR for availability.

Storeroom (F 07)

Latch operated by knob/lever from inside, by key from outside. Outside knob/lever is always inoperative, except when solenoid release button is pressed 'ON' by authorized person from inside or key pad outside.

Dormitory without egress (F 11)

Same as above, except when projected deadbolt locks knobs/levers either side. Then deadbolt by key outside, by turn piece inside, automatically unlocking inside knob/lever. Continuing to turn the key from either side, will operate the latch. The outside keypad or inside authorized solenoid release button work only when deadbolt is withdrawn. Double cylinders are applicable.

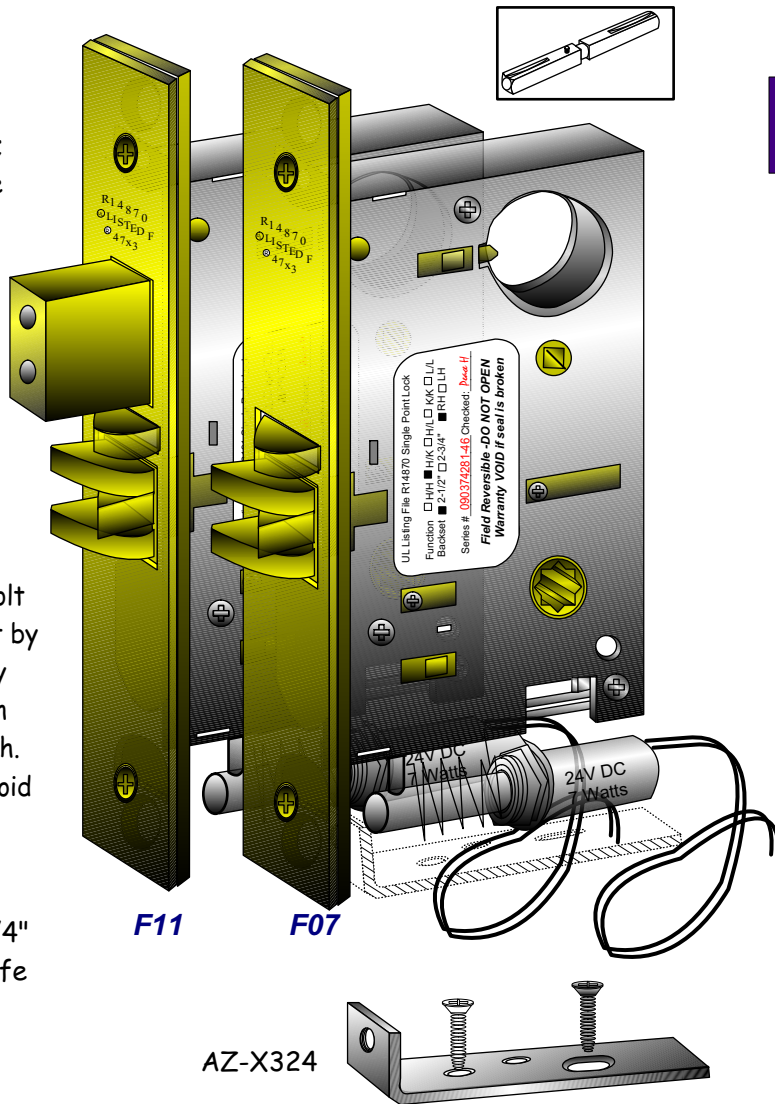
Life rating of 25 million actuations STA 3/4" Tubular Solenoid. Can be ordered in Failsafe or Failsecure. Please specify.

Backsets available:

2", 2-1/2", 2-3/4" 3-1/2"

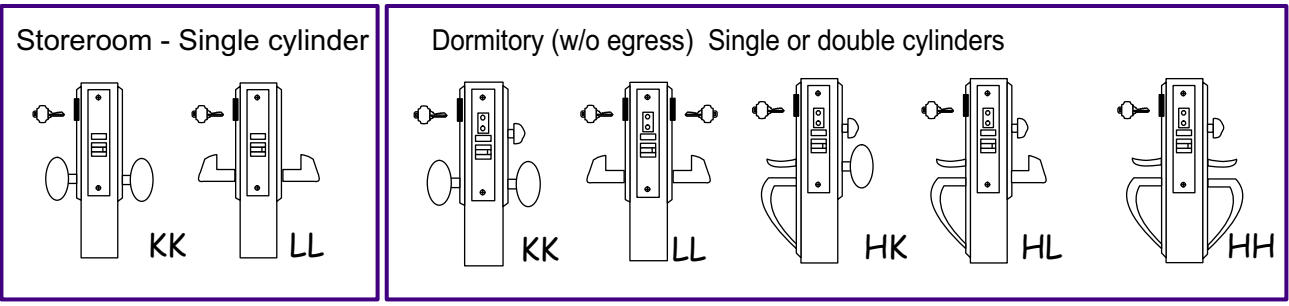
Model AZ-X324 Mounting Bracket is optional. Can be bolted to the lower side of door mortise to stabilize the lock installation.

Specify handing and Trim style to match when ordering.



*Failsafe - Locked when energized
(require power to lock)*

*Failsecure - Unlocked when energized.
(require power to unlock)*



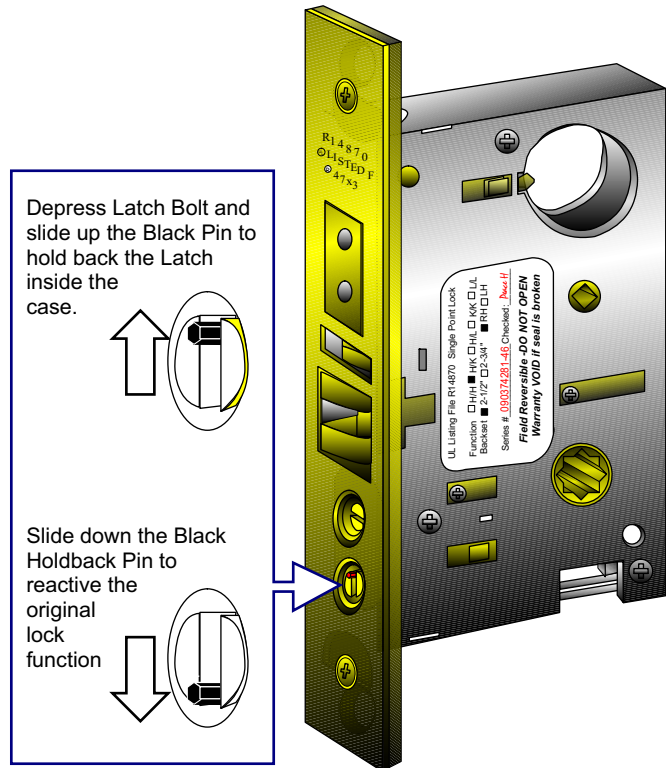
Mortise Lock cases with Holdback feature

A09

Baton series 'A' Mortise Lock Cases are available to order with holdback feature. A black Holdback Pin is constructed inside the lower Release Button.

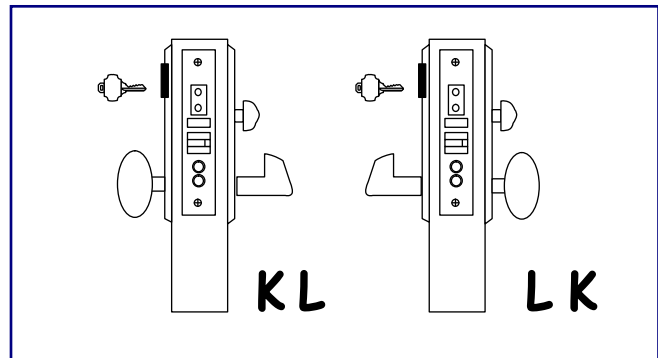
Simply depress the Latch Bolt or withdraw by inside Lever/Knob and slide up the black Holdback Pin that is located on the lower Release Button to hold back the Latch. The function of the lock is now entirely rigid, and the door can be pushed open. Sliding down the black Holdback Pin thus releases the Latch, and automatically reactivates the lock functions.

Outside Lever/Knob/Thumb piece is always rigid. Specify handing when ordering. Handing is not filed-reversible. Please call Baton's CSR for functions available.



Mortise lock cases for L/K or K/L - Special Trim combinations

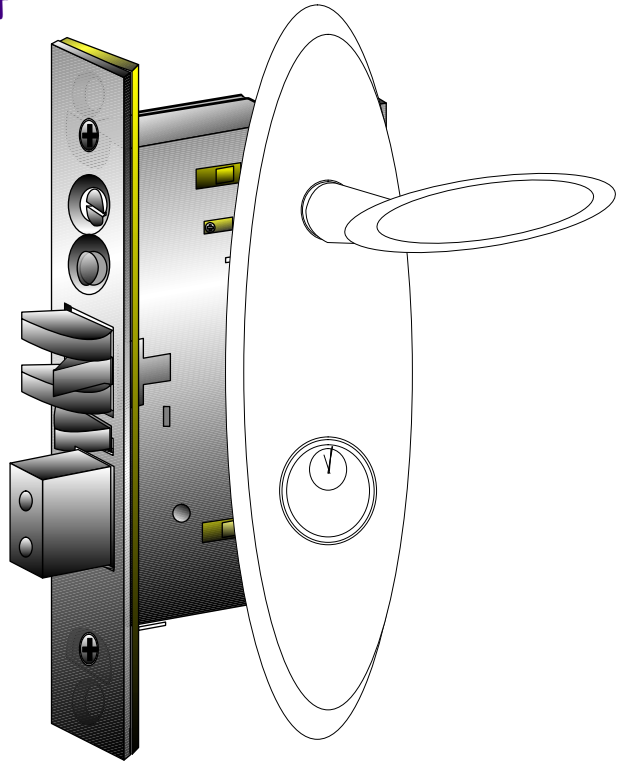
Baton Series 'A' mortise lock cases can be ordered to operate with Knob trim one side and Lever trim another side. Most of the functions are available. Please call Baton's CSR for details.



Lever above the cylinder mount

Baton series 'A' Mortise Lock Cases of L/L (lever/lever) function can be ordered with lever be installed above the cylinder.

Please call
Baton's CSR for functions available.

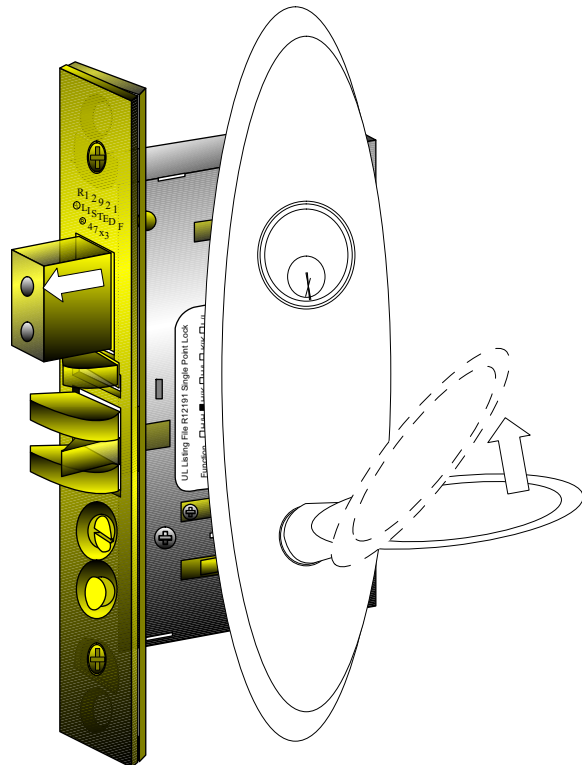


A10

Lift up the outside Lever to lock the Deadbolt

Baton series 'A' Mortise Lock Cases of L/L (lever/lever) function can be ordered to the special function - to throw the deadbolt without using a key. The Deadbolt can be thrown and deadlock the door simply by lifting the exterior Lever.

Please call
Baton's CSR for functions available.

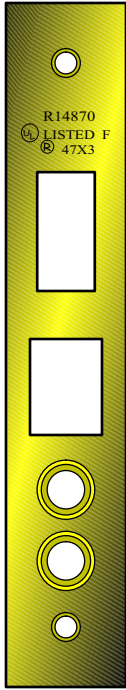


Brass, Bronze or Stainless Steel Face Plate for Series 'A' Mortise Lock

A11



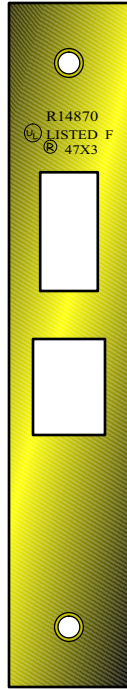
AZ-F1B



AZ-F1C



AZ-F1D



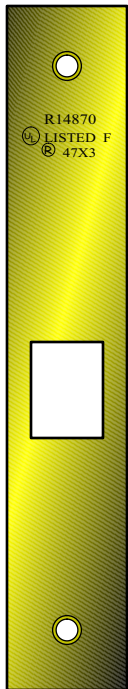
AZ-F1E



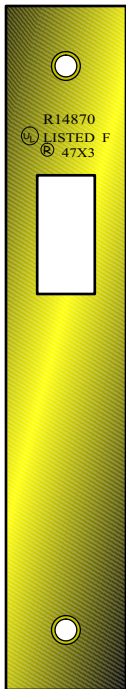
AZ-F1F



AZ-F1G



AZ-F1H



AZ-F1K

Face Plates for Series 'A' Mortise Lock are stocked constantly for your convenience. A series number of the Mortise Lock Case must accompany any purchase order for Face Plate. Finishes: US10B, 14, 15, 15A, 19, 26, 26D, 3, 32*, 32D*, 4 & 5. Pre-polished brass face plate without lacquer (3N), PVD and other finishes are available to order on OEM bases. Quantity may apply.

Stock No.	Lock Functions
AZ-F1 B	08,20,25, 29,32,35,38
AZ-F1 C	08,20,25, 29,32,35,38 (w/o Auxiliary Latch)
AZ-F1 D	11,13,15,31,36

Stock No.	Lock Functions
AZ-F1 E	02,19
AZ-F1 F	04
AZ-F1 G	05,07, 09
AZ-F1 H	01
AZ-F1 K	16,17

'*' : stainless steel

Narrow and Extended Strikes for the Mortise Lock are made of brass, bronze, or stainless steel, and are available to order from stock. Furnished with #12 + 12-24 x 1" double threaded combination screws x 2.

Finishes available :

US10B, 14, 15, 15A, 19, 26, 26D
3, 3N, 32**, 32D**, 5 & PVD.

Stock No.	Size (Center to Lip)
AZ-S1A	1" (25mm)
AZ-S1C*	1-1/4" (31mm)
AZ-S1E	1-5/8" (41mm)
AZ-S1F	1-7/8" (48mm)
AZ-S1G	2-1/4" (57mm)
AZ-S1S	1-1/4" (31mm)

'*' : Standard size

'**' : Stainless steel

To find the width of the Strike you need: 1/2 the thickness of the door plus the thickness of the panel.

Model AZ-S2 Heavy Duty Security Strike is made of cold-rolled heavy gauge steel. The two 3" long wood screws allow the Security Strike to be bolted into the door frame deeply and add extra security. The two Strike Screw holes are tapped for easy fastening of the finished Strike.

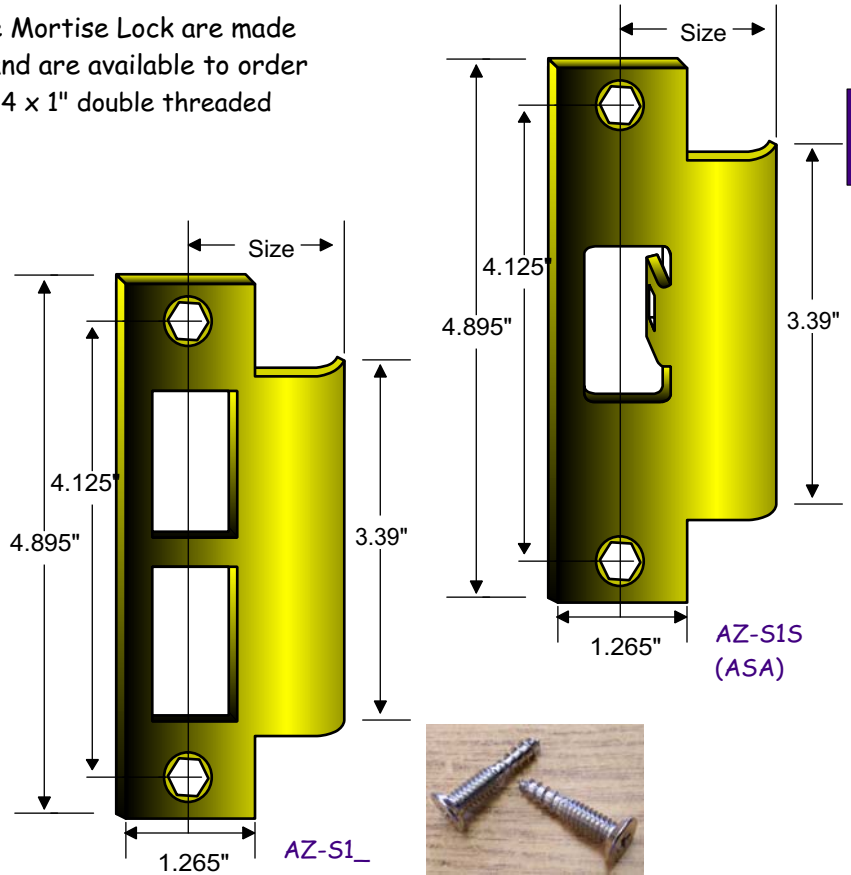
Stock No.	Description
AZ- S2	Security Strike, 1.265" W x 4.875" L

Dust Box can also be ordered as a separate purchase item. Two models are available:

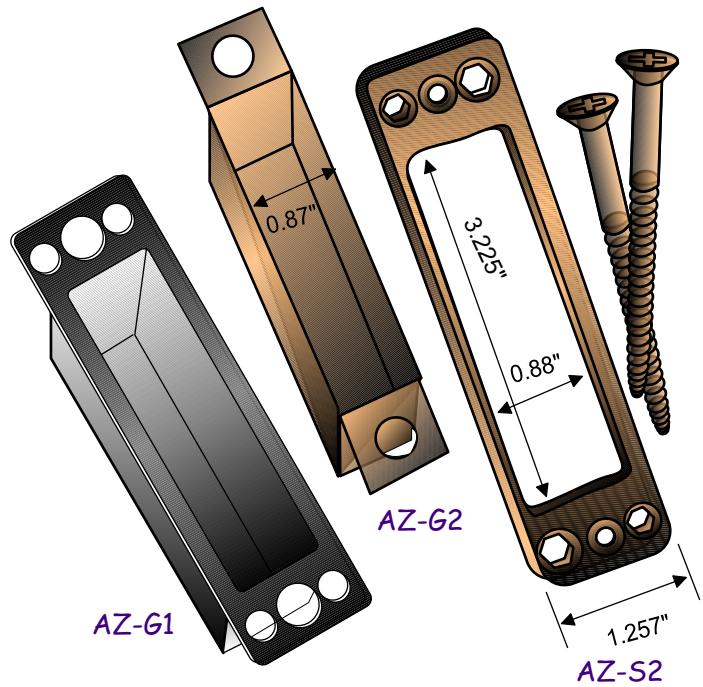
Model AZ-G1 - plastic, black

Model AZ-G2 - Steel, yellow zinc or brass plated

Stock No.	Description
AZ- G1	Dust Box, plastic, black
AZ- G2	Dust Box, steel, yellow zinc or brass plated

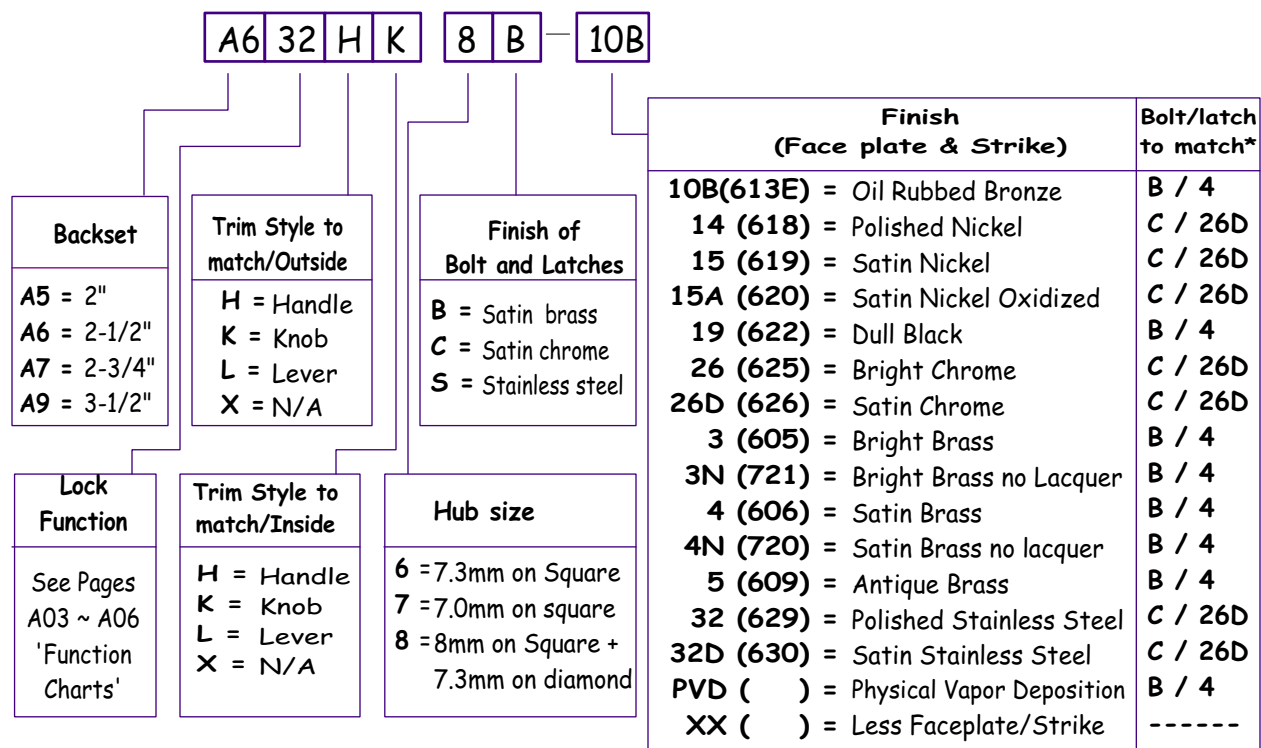


A12



Catalogue numbers for specific models contain complete information except for the handing. The first two digits specify the series. "A5" for 2" backset mortise lock cases and "A7" for 2-3/4" backset mortise lock cases etc. The following two digits designate the lock function. Please see pages A03~A08 for the most common mortise lock functions. For the custom made special functions, please check with Baton's CSR. The type of Trim style to use is specified by the following two letters. The first letter indicates the outside Trim style and the second letter indicates the inside Trim style. Trim set is excluded. The following letter indicates the finish of exposed parts. Except otherwise specified, Mortise Lock Case is furnished with Faceplate, Strike (1-1/4"), Dust box, Template/ instruction and mounting hardware. The last letter or letters indicate the U.S. standard finish for the Faceplate and Strike. Please see pages A09 and A10 for the available finishes in stock.

MORTISE LOCK CASE - CODE INTERPRETATION GUIDE:



Example : **A632HK8B-10B**

This number describes a mortise lock case, 2-1/2" backset for an Entrance function with egress; can be functioned with a Grip Handle outside, Knob trim inside and a cylinder for outside key operation (Trim/Cylinder/Spindle are excluded). The lock case is constructed with a star hub broached to take knob spindle of 8mm on square, or 7.3mm on diamond; satin brass exposed parts (deadbolt, latches & buttons) and furnished with Face plate and standard 1-1/4" Strike in US10B finish.

Remarks: 1) All Mortise Lock Cases, except otherwise specified, are Non-handed and field-reversible.

However, the lock case can be preset to specific handing as per request.

3) Mortise cylinder is excluded. Please see page A20, A21 and A22 for styles and sizes available.

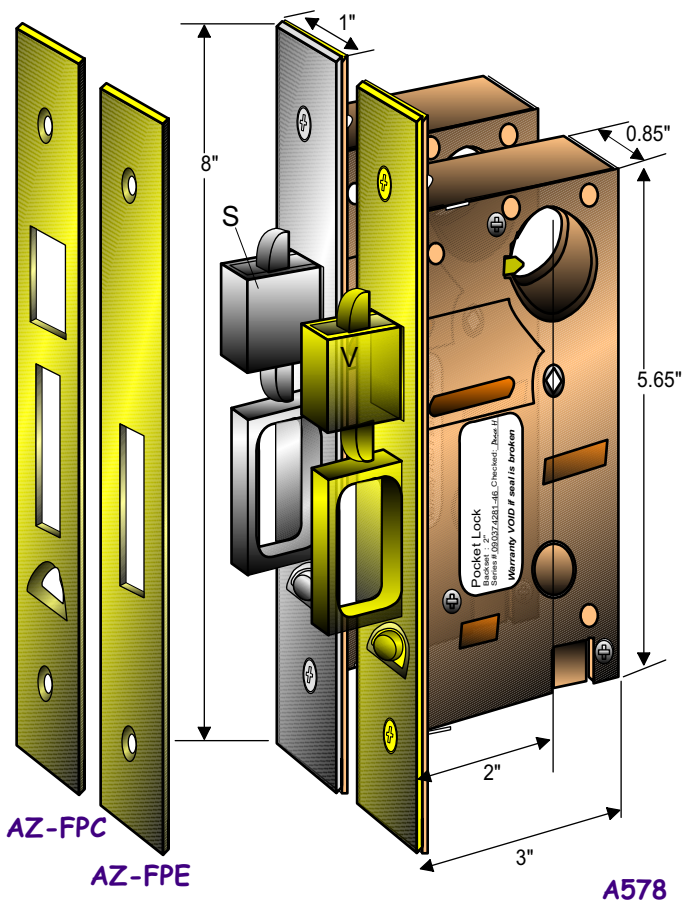
4) '*' Showed as standard matching except otherwise specified by order.

Model A578 Mortise Pocket Lock Case is made of zinc plated heavy wrought steel; constructed with a 1" throw hock type Deadbolt. The 1" wide armor front and finished Faceplate accommodates both thin or thick sliding doors.

Both the pop up Door Pull and the Hock Deadbolt are made of investment casting stainless steel. Two finishes for the exposed parts (Door Pull, Hook Bolt and Release button) are available from stock:

- 'S' = US32D - Satin stainless steel, or
- 'V' = PVD/gold over Satin stainless steel

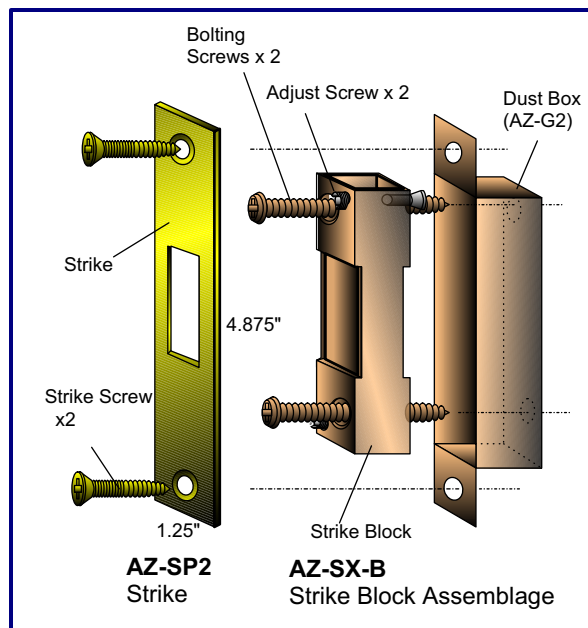
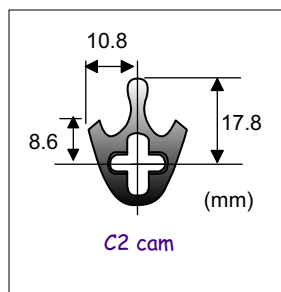
Depress the release button that is located at the lower part of the lock front; the Door Pull pops out immediately for door closing. Door Pull is held inside the lock case by pushing in position. The Hock bolt can be operated by key from outside or by Thumb Turn inside. The lock case takes any standard Mortise Cylinder (1.15" - 32uns-2b) that is formed with a 'C2' type cam. Cylinder is excluded. Please see Baton series 'AC' Mortise Cylinders and various finishes for your selection. To find the length of the flush mount mortise cylinder you need: 1/2 the thickness of the door.



The specially designed adjustable Strike Assemblage is furnished with a metal dust box, Strike block, one pair of the 3" long bolting screws. The adjustable screws x 2 on Strike block allows for your fine tuning adjustment for the proper hold of the lock and door prior to the fastening of the finished Strike.

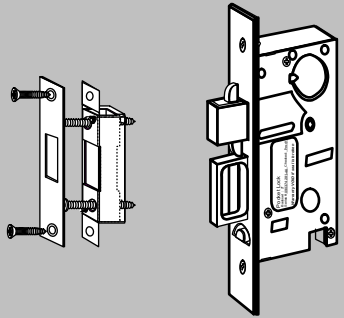
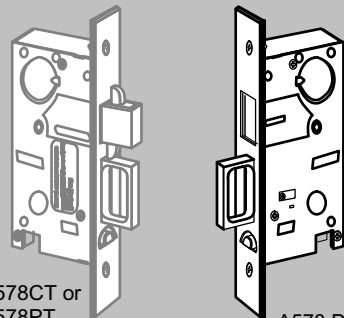
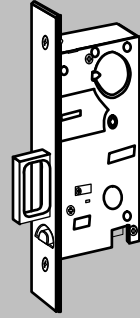
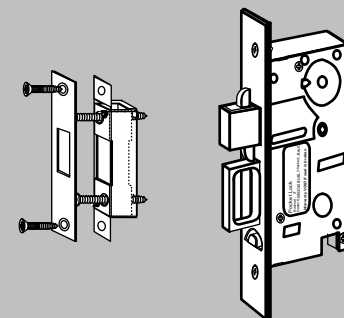
Three models, Entrance, Privacy and Passage are available to order from stock. A Dummy Block can also be ordered for the double door application. Please see the Function Chart on following page for details.

Backset: 2" (50mm)
Finishes: US10B, 15, 19, 26D, 3, 32D & 4



AZ-SK1 Strike Block Unit

A15

Model No.	Backset	Function	Depiction
A578 CT	2" (50mm)	<p>Entrance</p> <p>Hock Bolt by Thumb Turn inside and key from outside. Door Pull pops up by depressing the lower release button. Door Pull Trigger keeps the Door Pull flush with the lock front once door is closed or by pushing the Door Pull.</p>	
A578 DS	2" (50mm)	<p>Dummy (for double door)</p> <p>Door Pull pops up by depressing the lower release button. Door Pull Trigger keeps the Door Pull flush with the lock front once door is closed or by pushing the Door Pull.</p>	 <p>A578CT or A578PT (excluded)</p> <p>A578 DS</p>
A578 EP	2" (50mm)	<p>Passage (Edge Pull)</p> <p>Door Pull pops up by depressing the lower release button. Door Pull Trigger keeps the Door Pull flush with the lock front once door is closed or by pushing the Door Pull.</p>	
A578 PT	2" (50mm)	<p>Privacy</p> <p>Hock Bolt by Thumb Turn inside and emergency release outside. Door Pull pops up by depressing the lower release button. Door Pull Trigger keeps the Door Pull flush with the lock front once door is closed or by pushing the Door Pull.</p>	

Remark: Mortise cylinder and Trim set are excluded. Please consult following pages for the selection of Cylinders and Trim sets.

Series TA10 Pocket door lock trim is made of selected brass. The recess design allows for the door to be fully withdrawn inside the door pocket. Three trims: Entrance, Passage and Privacy are available from stock.

Entrance Trim

Model TA10C Entrance trim has a recess cut out to take 'AC' Mortise Cylinder for flush mount. The Trim is secured with the Pocket lock case by the Mortise Cylinder and wood screws x 3 on to the door.

T-turn Trim

Model TA10T Thumb Turn Trim has a breakable tail piece, drives the Hock Bolt and exterior privacy indicator button of the Privacy Trim when is applied and engaged; works for door thickness from 1-3/8" to 2-1/2". The T-Turn Trim is secured with the Pocket lock case by a machine screw and wood screws x 2 on to the door.

Privacy/Passage/Dummy Trim

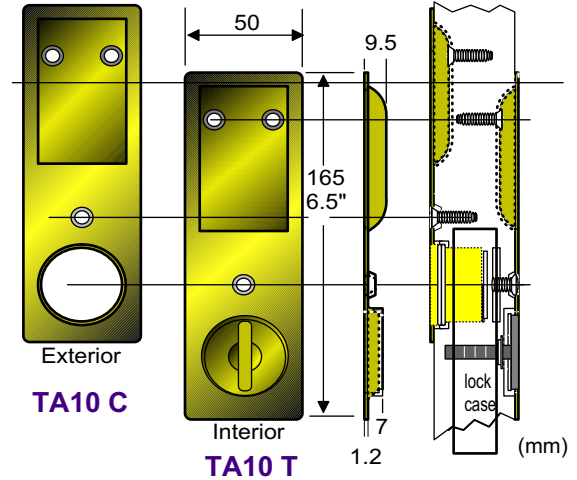
The indication button constructed on model TA10P Privacy Trim has slots on both sides, and allows it to be driven by the interior T Turn, or works as an emergency release turn knob from outside when the button is engaged. The Privacy Trim can also be worked for the Passage or Dummy applications, disengaging from the T Turn by shortening the tail piece. The Trim is secured with the Pocket lock case by a machine screw and wood screws x 2 onto the door.

Furnished with mounting screws as standard.
Finishes: US10B, 15, 19, 3

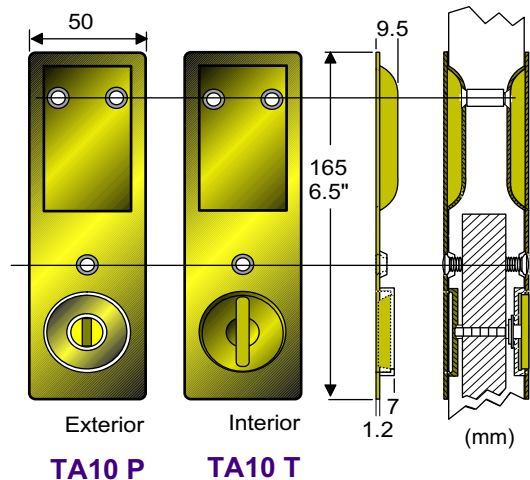
Stock No.	Description
TA10 C	Entrance Trim
TA10 P	Privacy/Passage/Dummy Trim
TA10 T	T Turn Trim

Remark: Mortise cylinder excluded, Please see the following pages for optional cylinders.

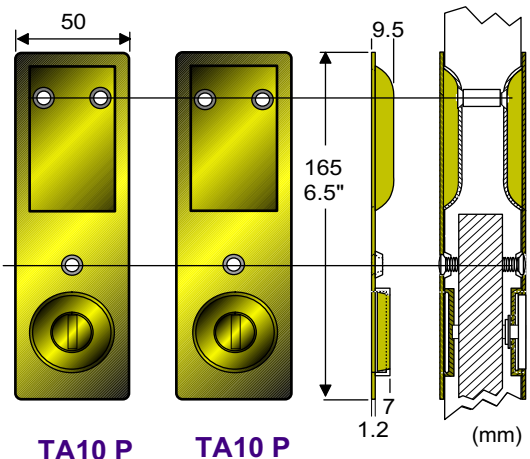
Entrance application



Privacy application



Passage/Dummy application



Models A640 A740 A940 Roller Latch with Privacy Bolt

A17

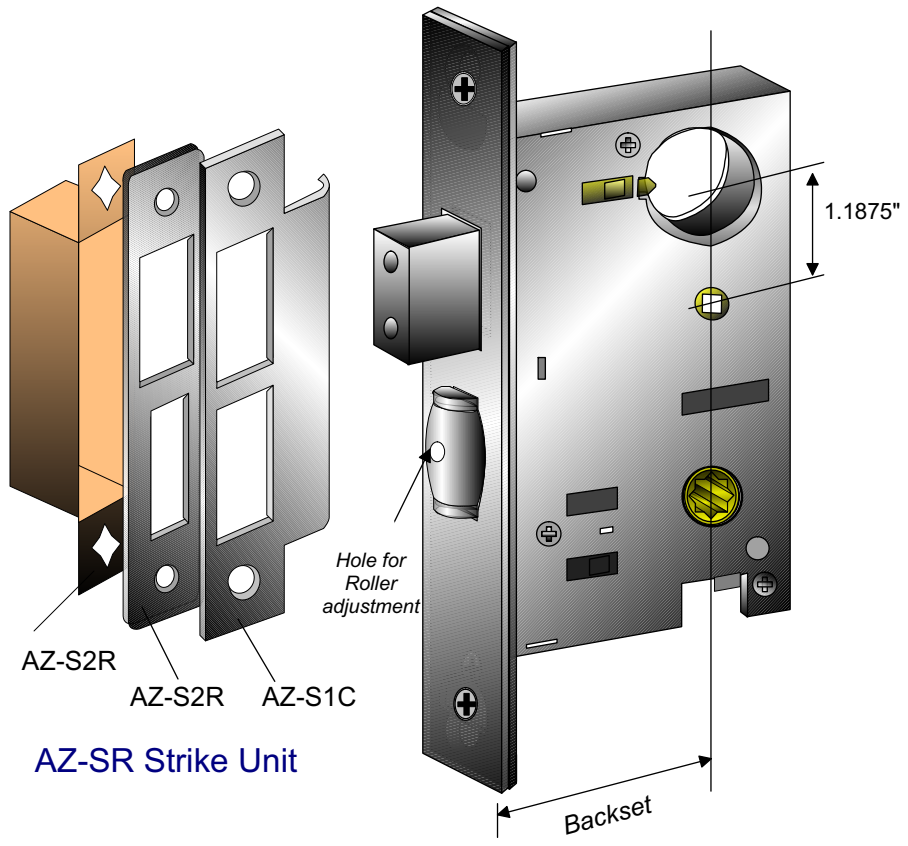
The Baton Roller Latch Lock Case has the same configuration as the series A Mortise Lock Case, ideal for push / pull applications. The spring loaded roller unit is featured with a strength adjustable mechanism, allows for fine-turn adjustments.

Models A643, A743 and A943 are constructed with a relock without using key feature - Lift outside Lever relocks the door. Specify handing when ordering.

The deadbolt of models A648, A748 and A948 can be operated by key outside and thumb turn inside, or by key both side.

Deadbolt and Roller Unit are available in satin chrome finish only. Furnished with Faceplate, non-handed Strike Unit (AZ-SC1 + back plate AZ-S2R + Dust Box AZ-G2) and Mounting Screws as standard.

Backset : 2.5", 2.75", 3.5"
Finishes : US10B, 3, 4, 32D



AZ-SR Strike Unit

Roller Latch with Privacy

Model No	Backset	Function	Depiction
A 643 A 743 A 943	2.5" 2.75" 3.5"	Roller Latch Lock with Privacy Latch/Roller by push / pull operation. Inside Lever locks / unlocks Deadbolt. Lift outside Lever locks the Deadbolt. Deadbolt unlocked by key outside.	
A 648 A 748 A 948	2.5" 2.75" 3.5"	Roller Latch Lock with Privacy Latch by push / pull operation. Deadbolt operated by key outside and Turn Piece inside.	 single cylinder or double cylinder

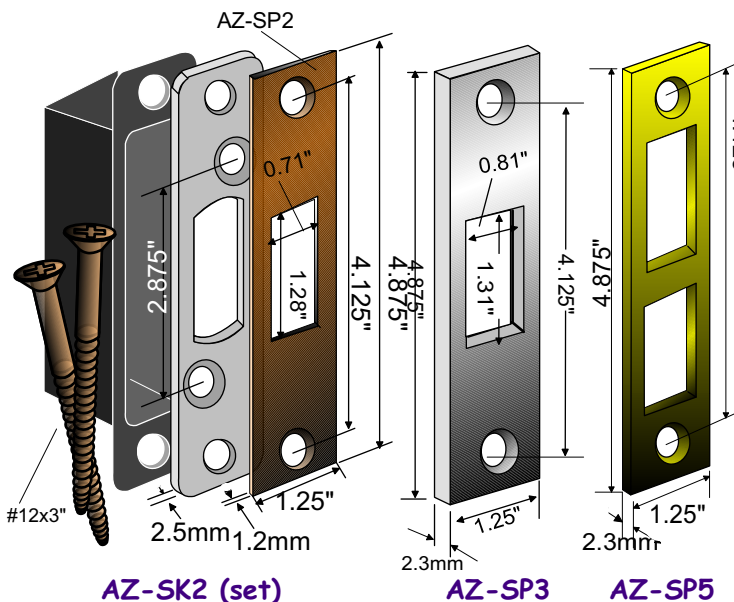
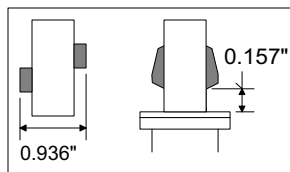
Baton series A Mortise Lock cases are available to be constructed with HookBolt and Hook Latch for the Barn Door or Pocket Door applications.

The constant Hook latch constructs with a 3/16" thick hook while the Hookbolt constructs with double hook to deadlock on to the Strike. All made of forged brass and satin chrome plated. Two anti-saw hardened steel rollers are installed on to the Hookbolt.

Except otherwise specified, lock cases are supplied with KK hubs only that allows to turn in both ways. Handing setup on escutcheon/trim is recommended when Lever/Lever is apply. Many functions are available to order. Please refer to the function chart of the following page for details. Furnished with Faceplate, Strike(AZ-SP5) and mounting Screws as standard. Strike AZ-SP3 and az-SK2 are optional.

Backset : 2-3/4"

Finishes: 10B, 19, 3, 32,
32D, 4



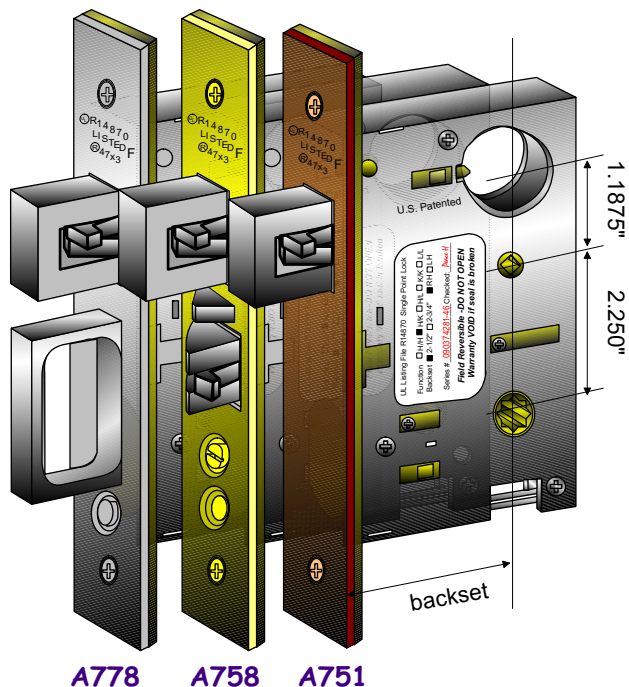
AZ-SK2 (set)

AZ-SP3

AZ-SP5



A18



A778

A758

A751

See Page A20 for other optional strikes available and type of mounting screws furnished.

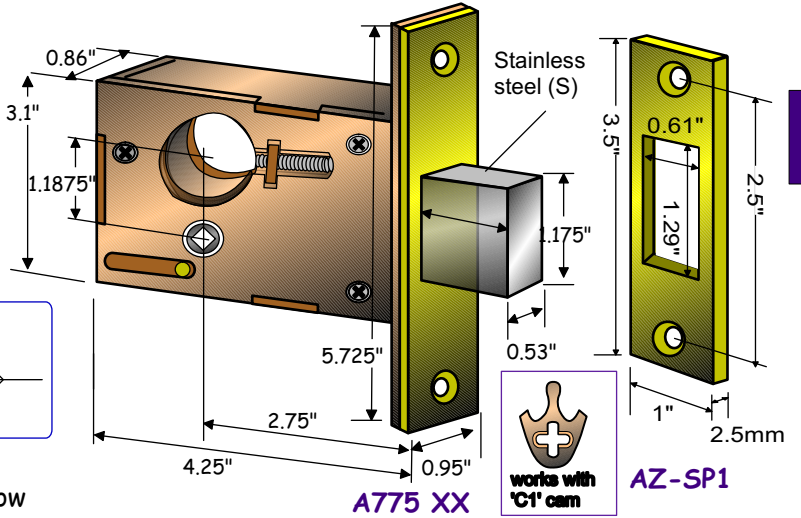
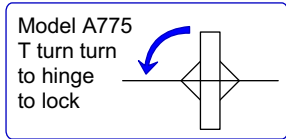
A19

Model No	Backset	Function	Depiction	Specify Trim style to fit when ordering
A651 A751	2.5" 2.75"	STOREROOM / DEADLOCK ** Hookbolt is operated by Key either side or by Turn Piece from inside. Inside Knob/Lever retracts Hookbolt. Outside Knob/Lever is always inoperative.		 KK LL*
A652 A752	2.5" 2.75"	DORMITORY ** (without egress) Latch by Knob/Lever from either side except when projected Hookbolt locks outside/inside Knob and Hookbolt. Hookbolt by Key outside, by Turn Piece inside, automatically unlocking outside/inside Knob/Lever. Auxiliary Latch deadlocks Hook Latch.		 KK LL*
A653 A753	2.5" 2.75"	DORMITORY (with egress) Hook Latch by Knob/Lever on either side except when projected Hookbolt locks outside Knob/Lever and deadlocks Hook Latch. Hookbolt/Hook Latch by Key outside. Hookbolt by Turn Piece inside. Inside Knob/Lever retracts Hook Latch and Hookbolt simultaneously, automatically unlocking outside Knob/Lever. Auxiliary Latch deadlocks Latch.		 KK LL*
A654 A754	2.5" 2.75"	OFFICE / CORRIDOR Hook Latch by Knob/Lever on either side except when outside Knob/Lever is locked by Stop Button in front, or by T Turn from inside, then by Key outside or by Knob/Lever inside. Auxiliary Latch deadlocks Hook Latch.		 KK LL*
A657 A757	2.5" 2.75"	ENTRANCE ** (without egress) Hook Latch by Knob/Lever from either side except when outside is locked by Stop Button; then by Key from outside, by Knob/Lever from inside. Hookbolt by Turn Piece from inside, by Key from outside. Auxiliary Latch deadlocks Hook Latch.		 KK LL*
A658 A758	2.5" 2.75"	ENTRANCE (with egress) Hook Latch by Knob/Lever from either side except when outside is locked by Stop Button or projected Hookbolt. Hook Latch deadlocks by Hookbolt. Hookbolt and Hook Latch by Key outside. Hookbolt by Turn Piece inside. Inside Knob/Lever retracts Hook Latch and Hookbolt simultaneously. Auxiliary Latch deadlocks Hook Latch.		 KK LL*
A678 A756	2.5" 2.75"	ENTRANCE ** Hookbolt is operated by Key either side or by Turn Piece from inside. Door Pull pops up by depressing the lower release button. Door Pull sits flush with the lock front once door is closed or by pushing the Door Pull.		 KK LL*

Remarks : 1) " * " Through bolting holes on lock case are not available. Sectional Knob/Lever set is not recommended.
2) " ** " Applies for Single or Double Cylinders

The Mortise Dead Lock case is made of heavy wrought steel, zinc plated, constructed with a 1" throw deadlocking bolt or bolt with double hooks. The Bolt can be operated by mortise cylinder and or thumb turn either side or both sides. The thumb turn is turned to jam side to unlock.

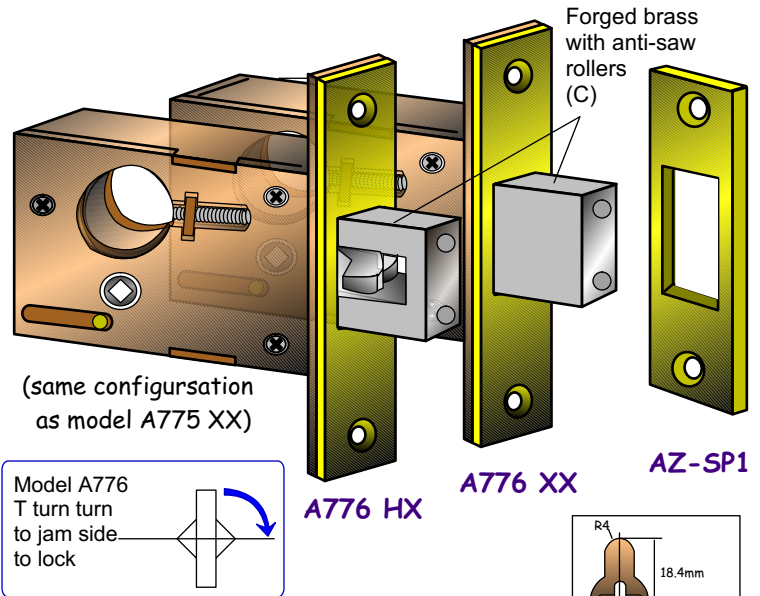
Three models are available to your choice:



Model A775XX5S is featured with 1" throw solid one piece constructed stainless steel deadbolt, fits for swing door.

Model A776XX5C is featured with satin chrome plated forged brass deadbolt. The case has the same configuration as model A775, but the interior T Turn is turned to jam side to lock.

Model A776HX5C - same as A776XX5C, and featured double hooks on deadbolt throw, ideal for both swing and sliding door applications.



Furnished with Faceplate, Strike (AZ-SP1) and mounting Screws as standard. Strike Unit AZ-SK2 (page followed) is optional.

Hub size : 5.1mm on diamond.

Backset : 2-3/4" (70mm)

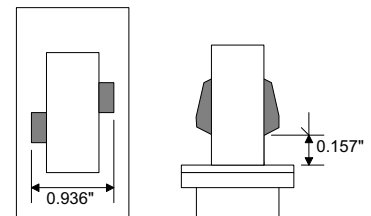
Finishes: 10B, 15A, 26D, 3

Stock No.	Description	T turn locking direction
A775XX5S	Mortise Dead Lock Case, 2-3/4"	Turn to hinge side to lock
A776XX5C	Mortise Dead Lock Case, 2-3/4"	Turn to jam side to lock
A776HX5C	Mortise Hook Lock Case, 2-3/4"	Turn to jam side to lock

Note:

1) Cylinder excluded for Dead lock Case. Please refer to Page A21, A22 for Series 'AC' Solid Brass Mortise Cylinders, and page A23 and D03 for the Security Collars.

2) Thumb Turn - please refer to for 'TX' series per page T24.

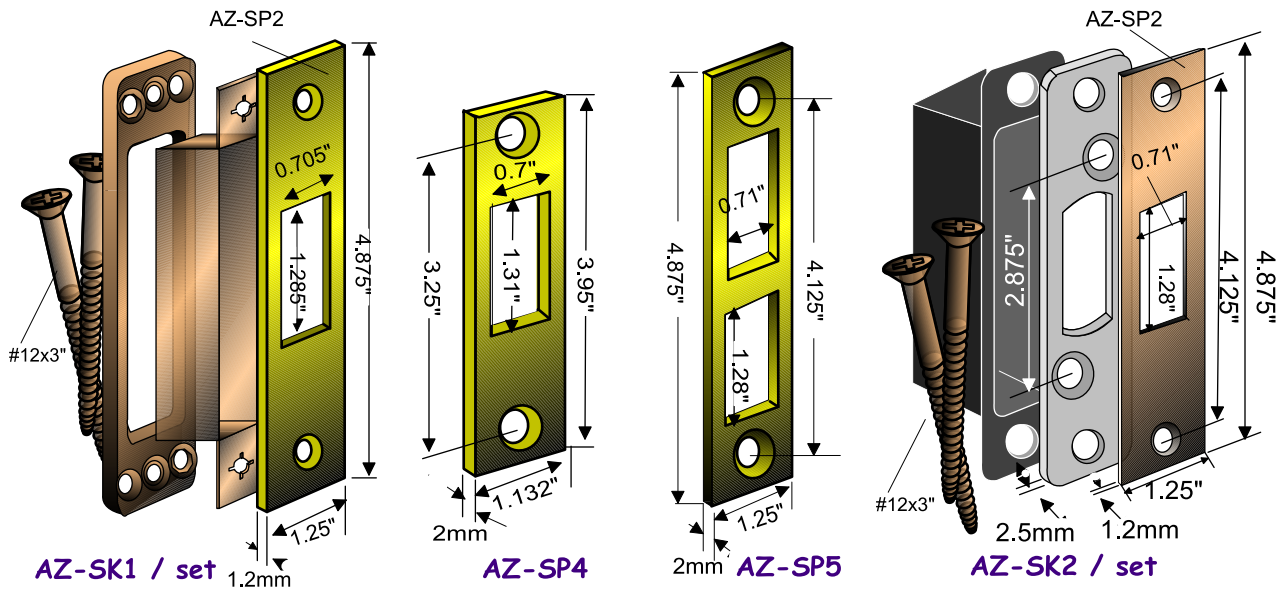
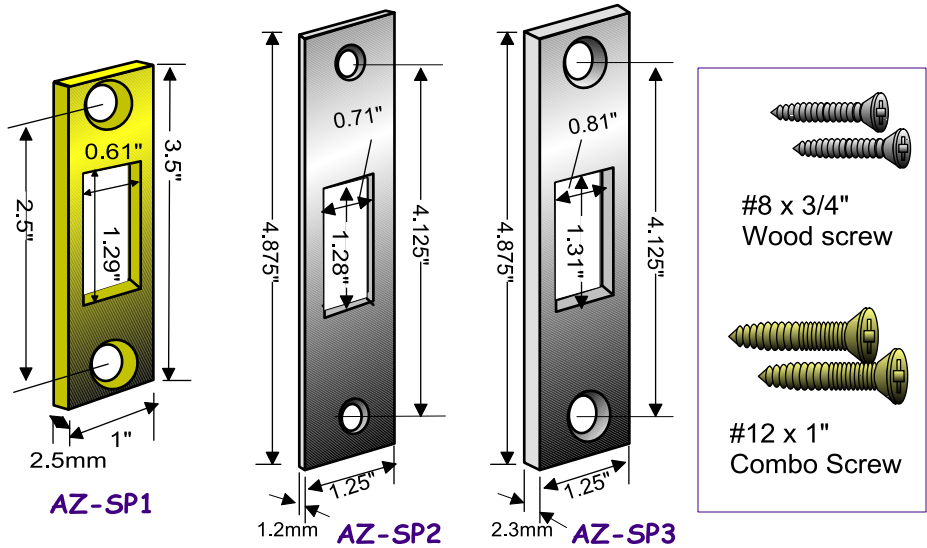


Strike and Strike Block Unit

A21

Strikes Block Unit, Strike Block Assemblage and Strikes in various sizes for Deadlock, Hocklock/Pocket locks are stocked constantly for your convenience.

The Strike Block Units consist of the finished Strike, inner Strike, 3" long bolting Screws, a Dust Box and Strike Screws. The two 3" long wood screws allow the Security Strike to be bolted into the door frame deeply for additional security.



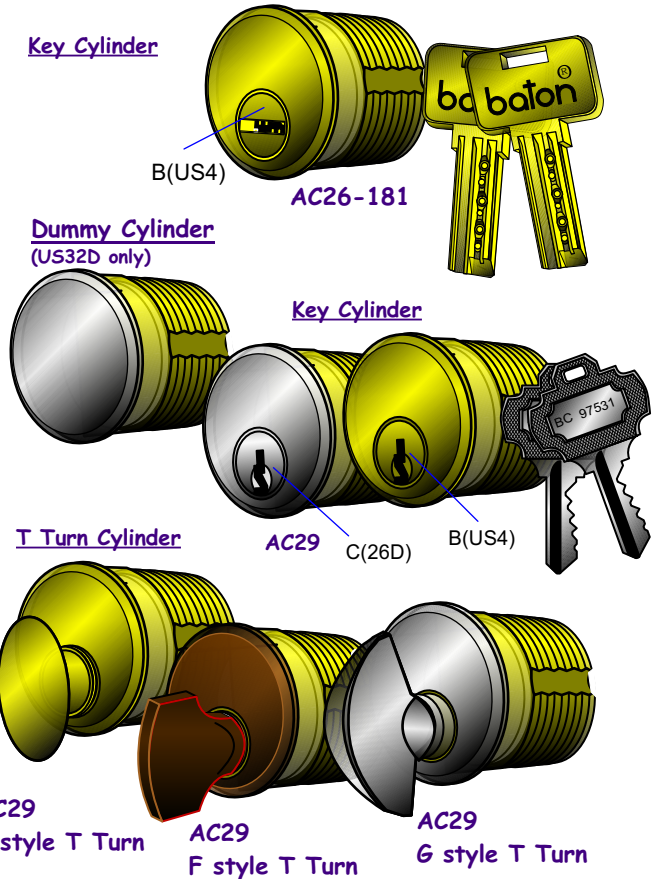
Stock No	Description	Finishes on hand	Mounting screws	Lock case to use	Dust Box
AZ-SP1	Strike, 3.5"	10B,15A,26D,3	#12 x1" combo	A775, A776	n/a
AZ-SP2	Strike, 4.875"	10B,15A,19,26D,3,4	#8x 3/4" wood s	A751, A775, A776XX	AZ-G1
AZ-SP3	Strike, 4.875"	10B,15,19,26D,3,4,32D	#12 x1" combo	A754, A756, A776XX	AZ-G1
AZ-SP4	Strike, 3.95"	10B,15,19,26D,3,4,32D	#12 x1" combo	A775, A776XX	n/a
AZ-SP5	Strike, 4.875"	10B,15,19,3	#12 x1" combo	A752, A753, A757, A758	AZ-G1
AZ-SK1	Strike Block Unit	10B,15A,19, 26D,3,4	#8x 3/4" wood s	A751, A775, A776XX	AZ-G1
AZ-SK2	Strike Block Unit	10B,15A,19, 26D,3,4	#8x 3/4" wood s	A751, A775, A776	AZ-G2

Baton's Series AC29 mortise cylinder is made of extruded solid brass. The unique bevel head design provides both for the recess and flush mount escutcheon a glaring of style and beauty. 'Schlage-C' keyway. Two large bow keys are included as standard. In-house keying services for Keyed Alike (KA), Master Keying (MK), single and double lever construction Keying (CK1, CK2) are available. Please refer to page X05 for the available in-house keying services. Available in US10, 10B, 14, 15, 15A, 19, 26, 26D, 3, 3N, 4, 32D, 5 & PVD. Finish is applied to the Cap over a US4(B) or 26D(C) finished barrel (please specify). Except otherwise specified, cylinder is furnished with one 'YA' straight cam only. The 1/8" offset cam (YB) or others can be purchased separately. Custom made extended Mortise cylinders are available to order. Please call Baton's CSR for details.

The cylinder can also be ordered with elegant Thumb Turn to pair with the key cylinder. Three style of the Thumb Turns are available for your convenience.

- 'E' style T Turn -
Finishes/T turn : US10B, 15, 19, 26, 26D, 3, 4
- 'F' style T Turn -
Finishes/T Turn : US10B, 15, 19, 26D, 3, 4
- 'G' style T Turn -
Finishes/T Turn : US10B, 14, 15, 15A, 26, 3, 4

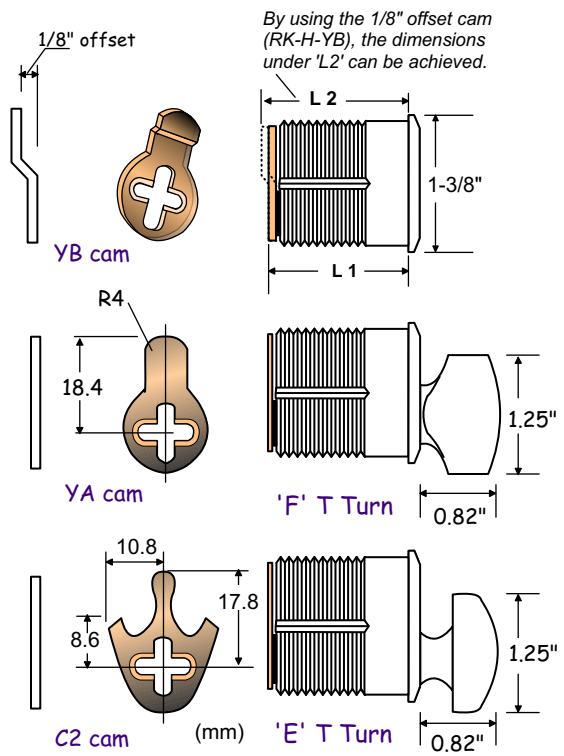
Model AC26-181 features a reversible dimple key profile protection. Supplied with Keyed Different (KD) or Keyed Alike (KA) in pair. Included 2 keys per cylinder as standard.



Stock Nos.		Size	
Key/Dummy cylinder D or B, C Barrel*	Pins	T turn Cylinder	
			L 1 w/straight cam (YA) L 2 w/ offset Cam (YB)
AC29-179 B/C/D	5	AC29-179 E/F/G	15/16" 1-1/16"
AC29-180 B/C/D	5	AC29-180 E/F/G	1" 1-1/8"
AC29-181 B/C/D	5	AC29-181 E/F/G	1-1/8" 1-1/4"
AC29-182 B/C/D	5	AC29-182 E/F/G	1-1/4" 1-3/8"
AC29-183 B/C/D	5	AC29-183 E/F/G	1-3/8" 1-1/2"
AC29-184 B/C/D	5	AC29-184 E/F/G	1-1/2" 1-5/8"
AC29-185 B/C/D	5	AC29-185 E/F/G	1-5/8" 1-3/4"
AC29-186 B/C/D	5	AC29-186 E/F/G	1-3/4" 1-7/8"
AC29-200 B/C/D	5	AC29-200 E/F/G	2" 2-1/8"
AC29-282 B/C/D	6	AC29-282 E/F/G	2-1/4" 2-3/8"
AC29-284 B/C/D	6	AC29-284 E/F/G	2-1/2" 2-5/8"
AC29-CX B/C/D	6	AC29-CX E/F/G	custom -
AC26-181B	5	N/A	1-1/8" N/A

Remarks:

- 1 - '*' Barrel in US26D (C) or US4 (B) finish; 'D' = Dummy. Specify when ordering.
- 2 - To find the length of the cylinder you need: 1/2 the thickness of the door plus the projection height of the trim at cylinder location.



Baton's Series AC30, 31 flat head mortise cylinder is made of extruded solid brass. 'Schlage-C' keyway. Two large bow keys are included as standard. In-house keying services for Keyed Alike (KA), Master Keying (MK), single and double lever construction Keying (CK1, CK2) are available. Please refer to page X05 for the details. Available in US10, 10B, 14, 15, 15A, 19, 26, 26D, 3, 3N, 4, 32D, 5 & PVD. Finish is applied to the Cap over a US4(B) or 26D(C) finished barrel (please specify). Except otherwise specified, cylinder is furnished with one 'YA' straight cam only. The 1/8" offset cam (YB) or other cams can be purchased separately. Custom made extended Mortise cylinders are available to order. Please call Baton's CSR for details.

The cylinder can also be ordered with elegant Thumb Turn. Please see page A20 for the styles and finishes available.

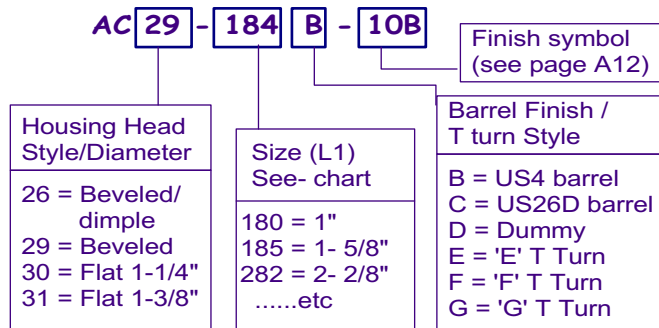
A23

Stock Nos.		Size		
Key Cylinder B or C Barrel	Pins	T turn Cylinder	L 1	L 2
			w/straight cam (YA)	w/offset cam (YB)
AC30-178 B/C/D	4	AC30-178 E/F/G	3/4"	7/8"
AC30/31-179 B/C/D	5	AC30/31-179 E/F/G	15/16"	1-1/16"
AC30/31-180 B/C/D	5	AC30/31-180 E/F/G	1"	1-1/8"
AC30/31-181 B/C/D	5	AC30/31-181 E/F/G	1-1/8"	1-1/4"
AC30/31-182 B/C/D	5	AC30/31-182 E/F/G	1-1/4"	1-3/8"
AC30-183 B/C/D	5	AC30-183 E/F/G	1-3/8"	1-1/2"
AC30/31-184 B/C/D	5	AC30/31-184 E/F/G	1-1/2"	1-5/8"
AC30/31-185 B/C/D	5	AC30/31-185 E/F/G	1-5/8"	1-3/4"
AC30/31-186 B/C/D	5	AC30/31-186 E/F/G	1-3/4"	1-7/8"
AC30/31-200 B/C/D	5	AC30/31-200 E/F/G	2"	2-1/8"
AC30/31-282 B/C/D	6	AC30/31-282 E/F/G	2-1/4"	2-3/8"
AC30/31-284 B/C/D	6	AC30/31-284 E/F/G	2-1/2"	2-5/8"
AC30/31-CX B/C/D	6	AC30/31-CX E/F/G	custom	-

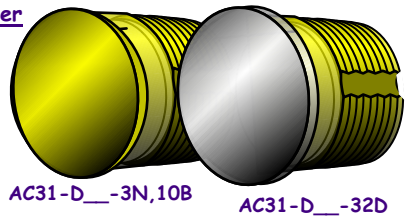
Remarks:

- 1 - '*' Barrel in US26D (C) or US4 (B) finish; 'D' = Dummy. Specify when ordering.
- 2 - To find the length of the cylinder you need: 1/2 the thickness of the door plus the projection height of the trim at cylinder location.

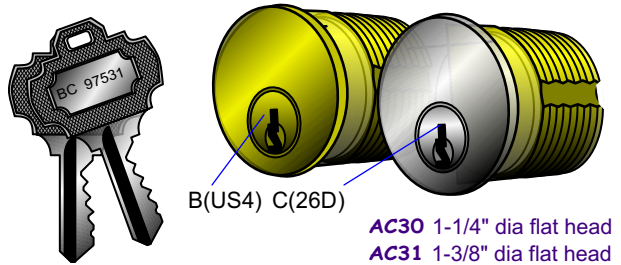
Mortise Cylinder Code Interpretation Guide



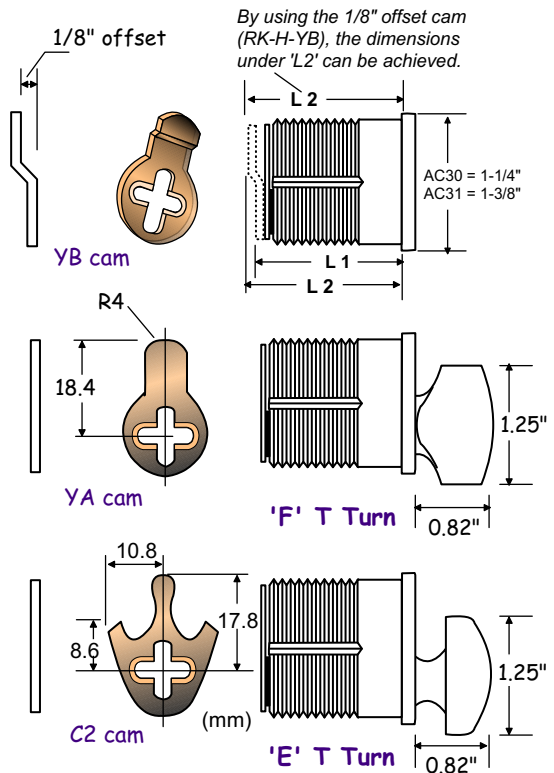
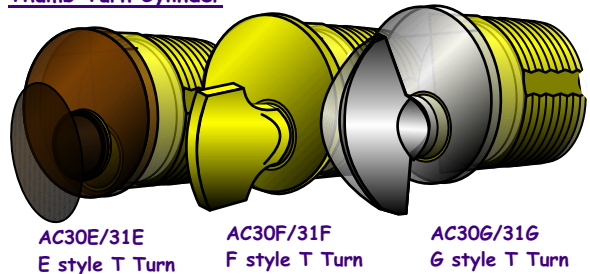
Dummy Cylinder



Key Cylinder



Thumb Turn Cylinder



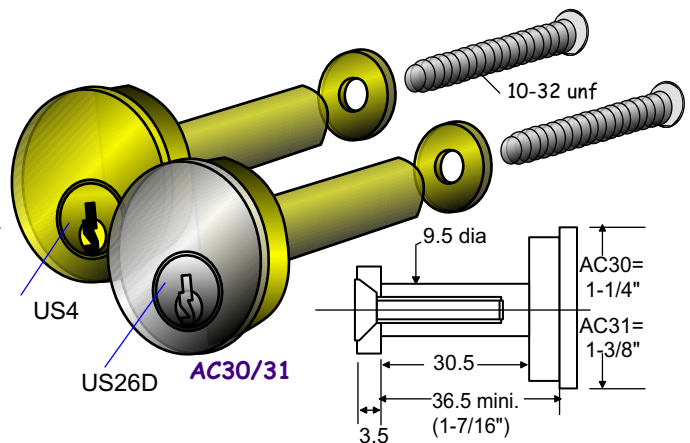
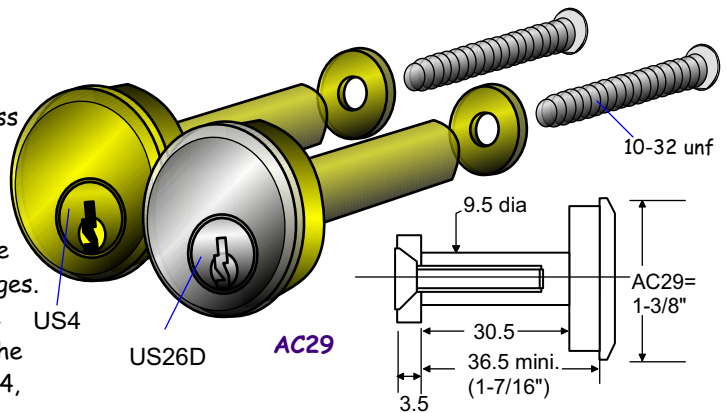
Dummy Cylinder assemblage

The Dummy Cylinder is made out of machined brass with finished cap over an US3, US4 or US26D finished dummy barrel.

The finished cap is the same as being used for the Series 'AC' cylinders as showed the front two pages. Bevel or Flat styles, to pair with the true Mortise cylinder selected perfectly. Finish is applied to the cap as the AC cylinders. Available in US10, 10B, 14, 15, 15A, 19, 26, 26D, 3, 32, 32D, 4, 5 & PVD.

Furnished with backup washer and one piece each of 1" and 1-1/2" long mounting screws, for use up to 2-1/2" thick door mount.

Stock No.	Description
AC29-DS-__	Dummy Cyl assemb. Bevel head
AC30-DS-__	Dummy Cyl assemb. Flat head
AC31-DS-__	Dummy Cyl assemb. Flat head



Security Collars

Model AC35-06 Security Collar is made out of hardened steel. Furnished with wave or coil washer. Projection: 3/16\".

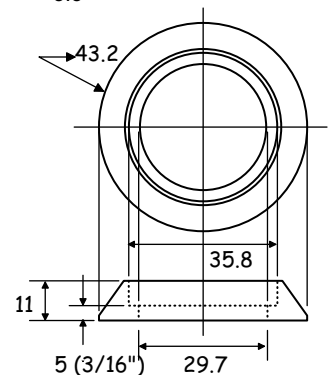
Finishes:

US10B, 15, 15A, 26 & 3

Stock No.	Description
AC35-06-__	Security Collar 3/16" projection



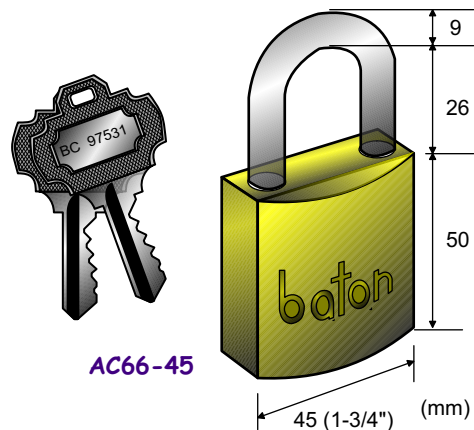
AC35-06



Brass Padlock, rekeyable

Model AC66-45 Brass padlock is constructed with a spring loaded double locking, rust proof stainless steel shackle. Supplied with a 'Schlage-C' key way removable cylinder (drilled for 6 pin and pinned for 5). 2 "0" bit 5 pin keys included. The brass padlock can be keyed to the same system of the series 'AC' Mortise, 'D4' Deadbolt and 'EC' Euro Profile Cylinders.

Stock No.	Description	Size
AC66-45	Brass Padlock	1.75"(45mm)



AC66-45

Door Handing & Installation Manual for series A500 2" Backset Mortise Lock Cases

A25

CAUTION!! DO NOT OPEN THE CASE CAP ALWAYS WEAR EYE PROTECTION

- The Mortise Lock Case is a precision mechanical product, constructed with a number of moving parts and springs. It requires a special jig and technique to assemble. Opening the case cap without using a proper jig and or tool may result in serious personal injury by flying parts and springs.
- **Removing the case cap to change the handing is not necessary.** Please read the following carefully before changing the handing and installing the Mortise Lock Case.

Step 1 -

Remove the Faceplate Screws and the outer Faceplate

Step 2 -

Depress the Latch Bolt and remove the Latch Screw

Step 3 -

Pull the Latch Bolt, rotate 180 degrees, and then snap the Latch Bolt back to its working position in slot. Fasten the Latch Screw. For a Passage Function lock and or any other function locks that uses a H/L or H/K trim set, go to Step 5.

Step 4 - (changing egress)

Depress the Release Button. Remove the Stop Button Screw and the Block. Place the Block to the Stop Button Slot on the reverse side of the lock case and fasten with the Stop Button Screw.

Step 5 -

Adjust the proper angle of the Armor Front to fit the Beveled or Flat edge door, and fasten the Armor Front adjustment Screws.

The Armor Front of the lock is designed for a maximum of 2.5 degrees rotation (or a maximum 1/8" beveled cut for a 2" thick x 4' wide door), left or right, bevel adjustments. Any greater angle may cause lock jam or malfunction.

Step 6 -

Install the lock case on to the door, fasten with Armor Front Screws.

Step 7 -

Install the Trim Set** (See Installation Instruction For Trim Set)

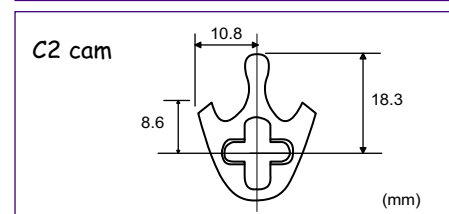
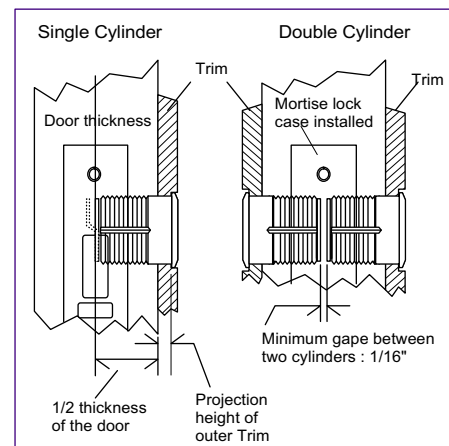
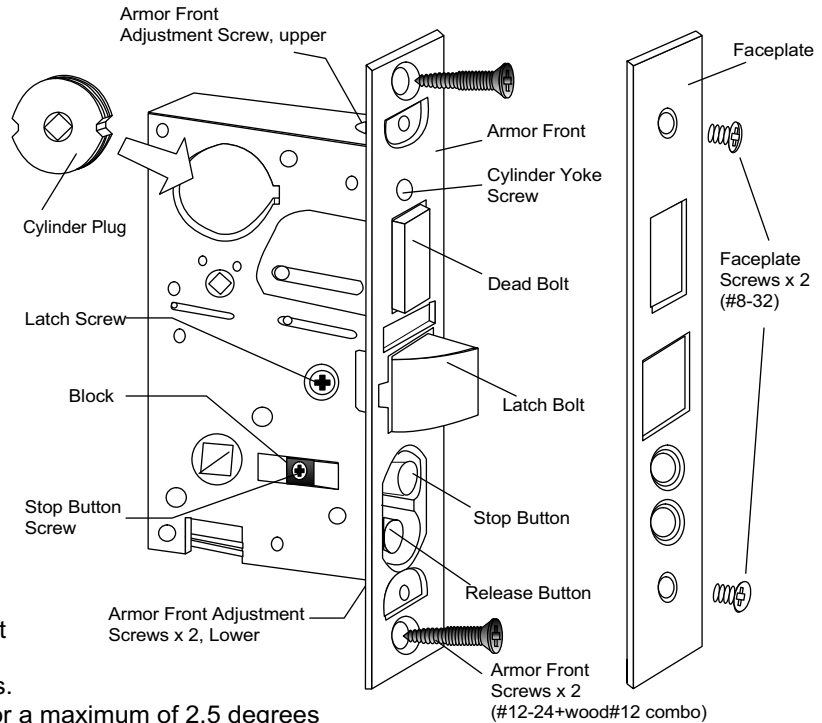
Step 8 -

Install the Mortise Cylinder**, if applicable. The Mortise Lock Case takes any standard Mortise Cylinder (1.15" -32NS) that is formed with a 'C2' type cam only. Proper length of the cylinder is required to ensure the smooth operation. Cylinder length can be determined by calculating 1/2 door thickness plus the projection height of the Trim or the Security Collar for the cylinder. If you use a single cylinder only, the Cylinder Plug must be installed on to the other side of the Cylinder Slot, prior to fastening the Cylinder Yoke Screw. You may use a spindle to screw the Cylinder Plug into the slot. Make sure one of the notches is lined up, to engage the Cylinder Yoke, as well as the cylinder.

Step 9 -

Attach the Faceplate and fasten with the Faceplate Screws.

Test the lock function before CLOSING DOOR.



***: Trim set and Cylinder are separate purchase items.

Baton series 'T' Trim, Lever, Knob and Thumb Turn sets as shown on the following pages can be purchased separately to match with the locking mechanisms mentioned on the previous pages. Series or model numbers for specific trims contain complete information.

The first two digits specify the "Series".

- "TA" - Trim sets for matching to series "A" American mortise lock cases
- "TE" - Trim sets for matching to series "E" Euro mortise lock cases
- "TF" - Trim sets for matching to series "F" Euro mortise lock cases
- "TG" - Trim sets for matching to series "G" Euro mortise lock cases
- "TL" - Lever set for using with above mortise lock cases to pair with cylinder rosettes as sectional setup or for series "LT" Tubular Latches
- "TX" - Trim, Knob, Lever or Thumb Turn sets that can possibly be used for all applications mentioned above.

T01

For example:








If a trim set is to match with the Mortise lock case A632HK, you may order the HK (Grip Handle outside/Knob inside) style trim set against the models TA30HK, TA40HK, TA60HK, TA70HK and TA80HK as shown on pages T03 to T10. The "TA" series trim sets are compatible with "A" series Mortise Locks only.

If the mortise lock case features a LL (Lever/Lever) construction, you may choose any model of the LL escutcheons as shown on pages T19 to T20; or, any style of the "TX-LJ" or "TX-LK" Lever sets as showed on page T21 to T23 with a selection of the Thumb Turn sets as shown on page 83 to install as sectional style trim set.

One can modify levers from the "TL" series by simply removing the rosette spring and cam stop, for use on most of the Mortise lock cases that is featured a LL construction.

The page following is a quick reference chart that specifies Trim, Lever, Knob and Thumb Turn sets that can normally be ordered to match with Mortise lock cases or Tubular Latch selections. Mix and match in styles and finishes for some items may be available to order. Please call Baton's CSR for details.

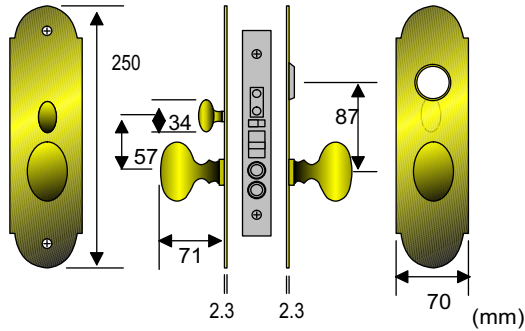
Trim / Lever Sets Ordering Guide - 2 - Reference Chart

<p>Trim Sets available</p> <p>TA30 HH, HK, HL, KK, LL TA40 HH, HK, HL, KK, LL TA50 KK, LL TA60 HH, HK, HL, KK, LL TA70 HH, HK, HL, KK, LL TA80 HK TA91LL, TA95LL, TA96 LL</p>		<p>Lock case models / styles to match</p> <p>1) Series A Mortise Lock cases A500, A600, A700, A900</p>
<p>Trim Sets</p> <p>TE-G__, TE-H__ TE-U__, TE-V__, TE-X__</p>		<p>Lock style to match</p> <p>1) Euro Mortise Lock cases E600, E700, E900 Narrow backset E300</p>
<p>Trim Sets</p> <p>TF-B__, TF-D__, TF-E__ TF-G__, TF-H__</p>		<p>Lock style to match</p> <p>1) F400LL EN certified F Mortise Lock 2) F518LL Auto Lock</p>
<p>Trim Sets</p> <p>TG-U12-32D</p>		<p>Lock style to match</p> <p>1) G301, G308, G15, G307 Euro Mortise lock cases</p>
<p>Lever Sets</p> <p>TL-C__, TL-M__, TL-N__</p>		<p>Latch & Lock style to match</p> <p>1) Tubular Latch LT200, LT300, LT580, LT595, LT670, LT680, LT780, LT840, LT880 LS/LV 2) Mortise Lock 'A', 'D', 'E', 'F', 'G', 'K' with optional 'TX' T Turn</p>
<p>Knob & Lever Sets</p> <p>TX-KC__ TX-LJ__ TX-LK__</p>		<p>Latch & Lock style to match</p> <p>1) Tubular Latch LT200, LT300, LT580, LT595, LT670, LT680, LT780, LT840, LT880 KS/KV/ LS/LV 2) Mortise Lock 'A', 'D', 'E', 'F', 'G', 'K' with optional 'TX' T Turn</p>
<p>Thumb Turn Sets</p> <p>TX-TA__ TX-TB__ TX-TD__</p>		<p>Mortise Bolt & Lock style to match</p> <p>1) Mortise Bolt LT245MB, LT780MB 2) Interior Mortise Lock 'D' 3) Mortise Lock 'A', 'E', 'F' 4) Mortise Deadlock A775</p>

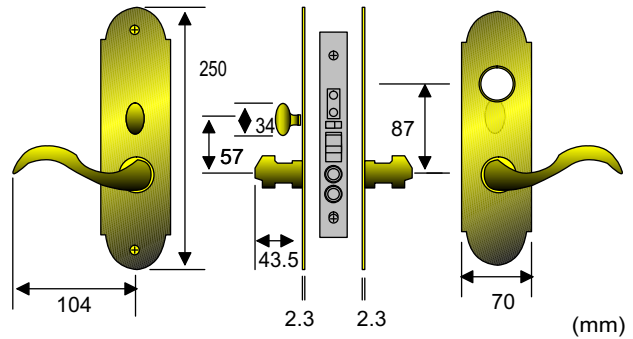
T02

Series 'TA30' Trim Set for Series 'A' Mortise Door Lock Case

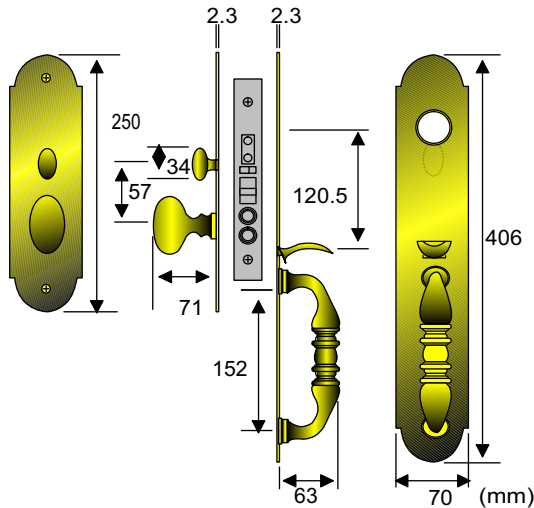
TA 30 KK



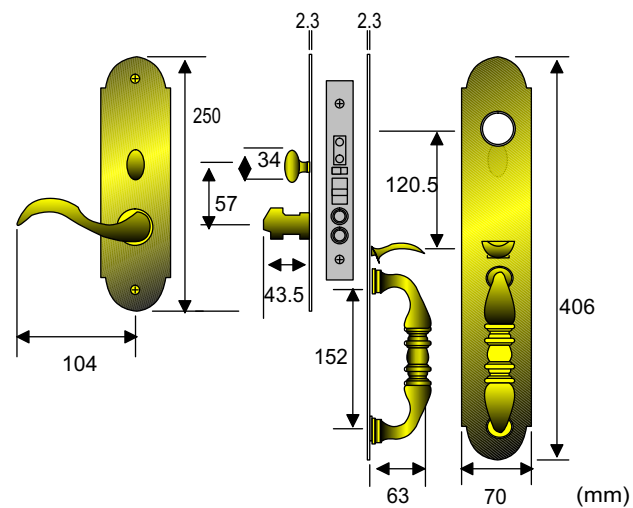
TA 30 LL



TA 30 HK

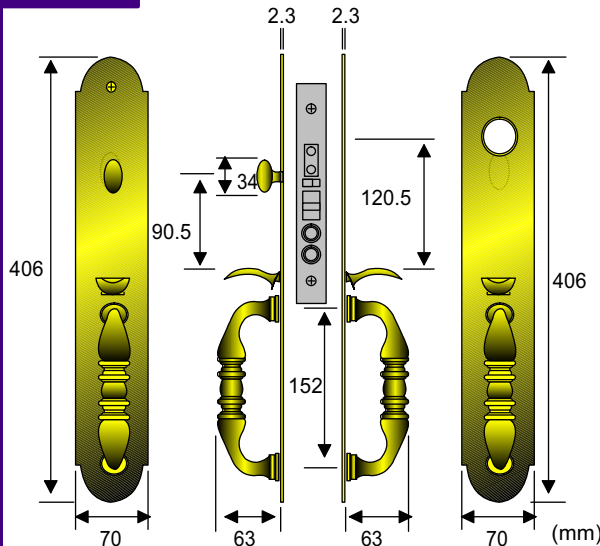


TA 30 HL



T03

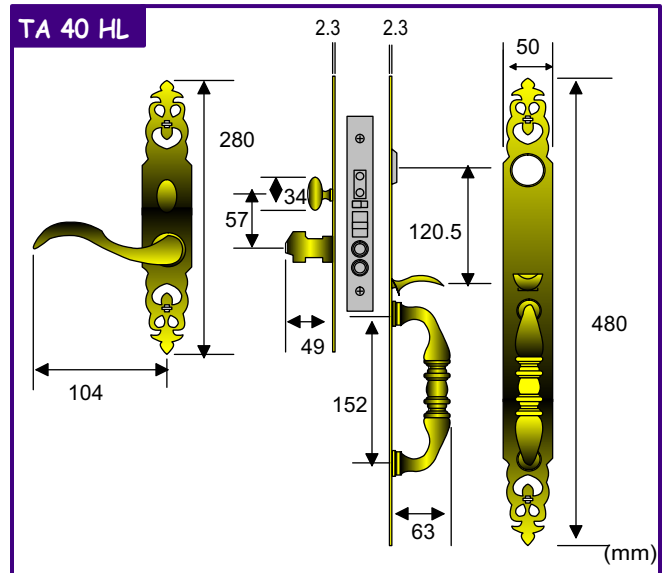
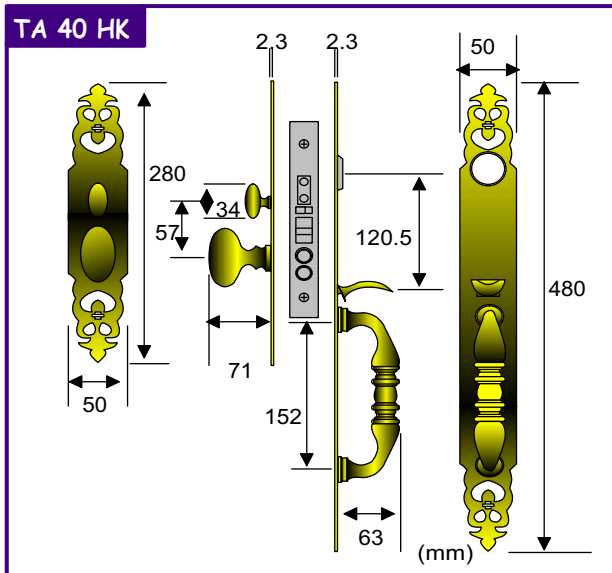
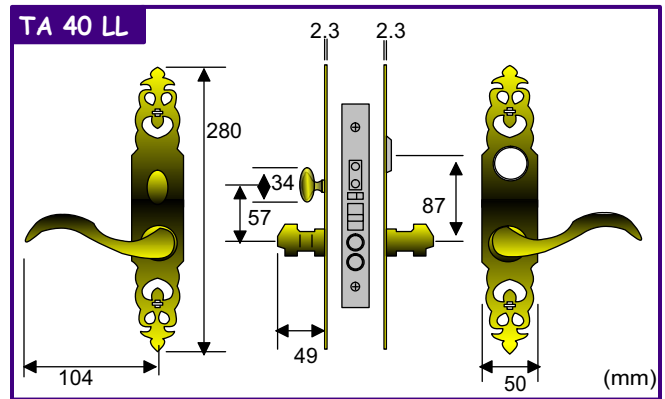
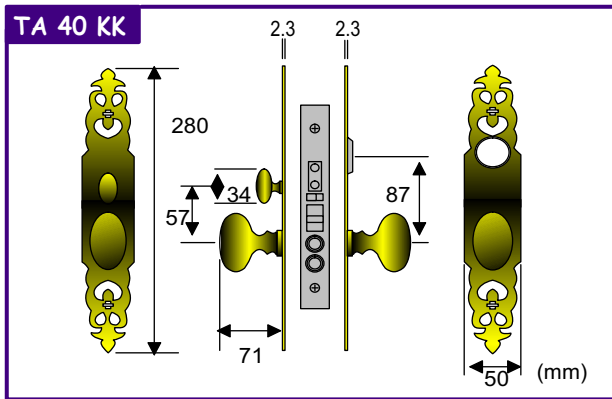
TA 30 HH



Material: Escutcheon - Brass
Lever/thumb piece - Forged Brass.
Hub size: 8mm Square

Finishes available:
US 10B, 15, 15A, 19, 26, 26D,
3, 5 and PVD.

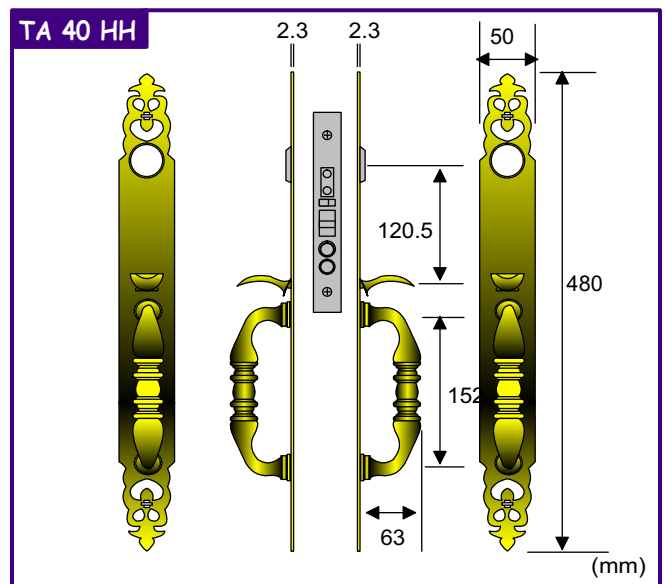
Remark : Mortise Lock Case and Cylinder are excluded. Please refer to catalogue pages A01 to A21 for various lock functions, Strike and the proper length of cylinder.



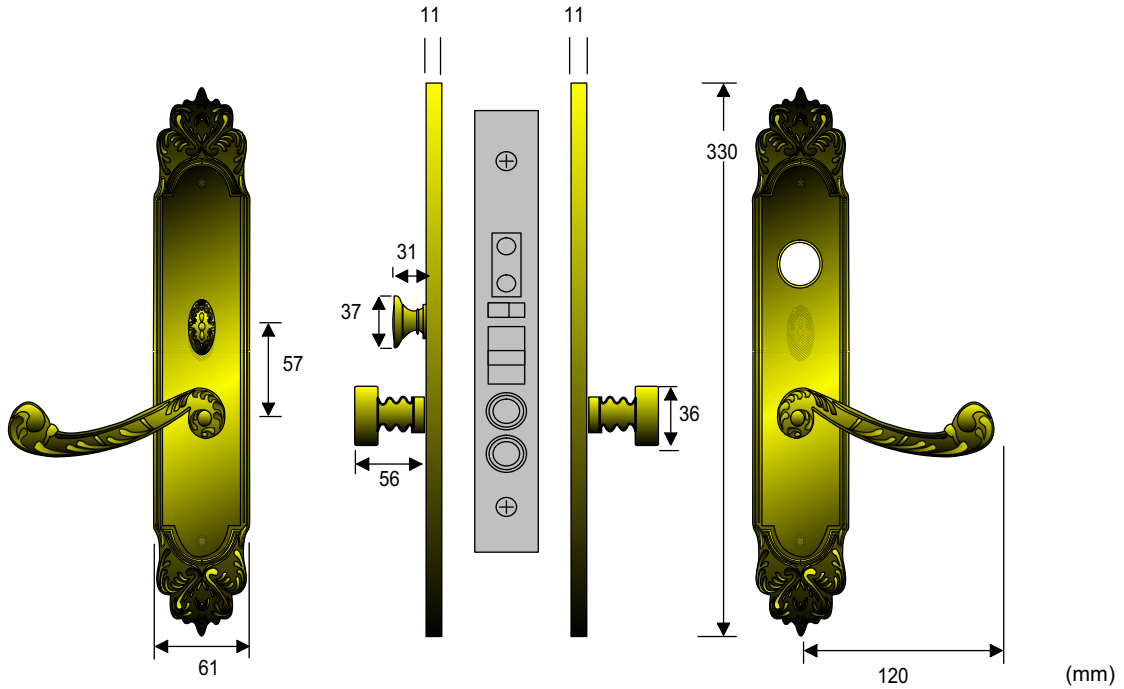
T04

Material: Escutcheon - Brass
Lever/thumb piece - Forged Brass.
Hub size: 8mm Square
Finishes available:
US 10B, 15, 15A, 19, 26, 26D,
3, 5 and PVD.

Remark : Mortise Lock Case and Cylinder are excluded. Please refer to catalogue pages A01 to A21 for various lock functions, Strike and the proper length of cylinder.

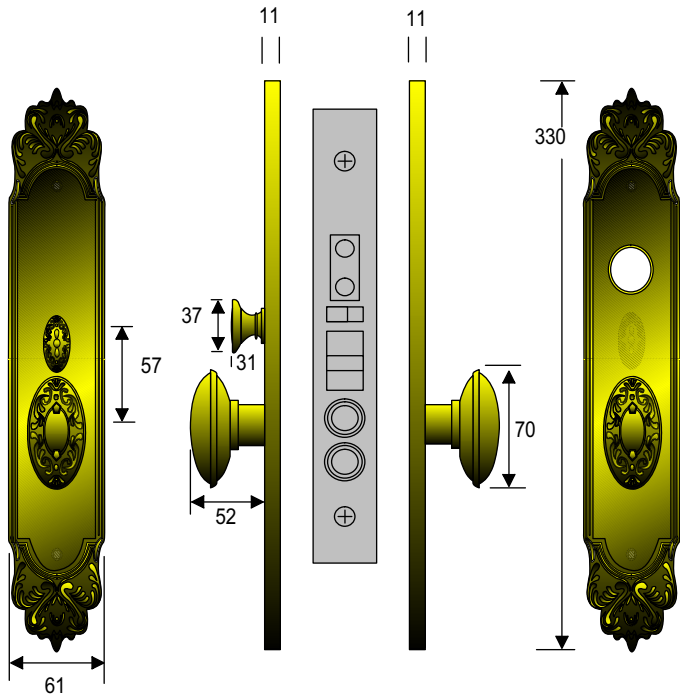


TA 50 LL



T05

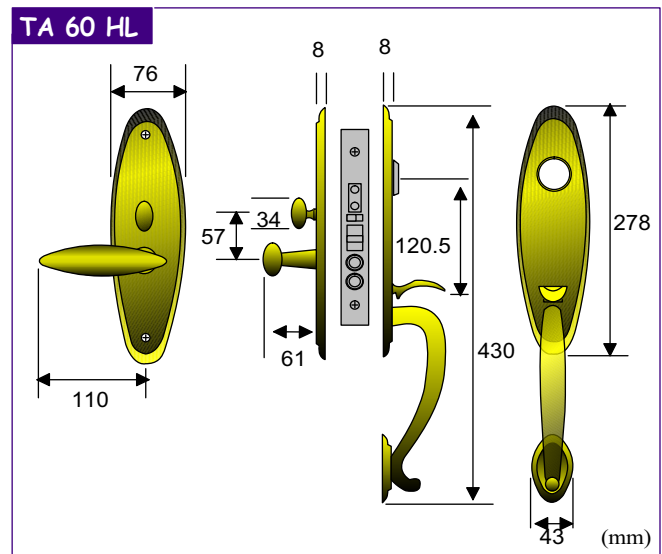
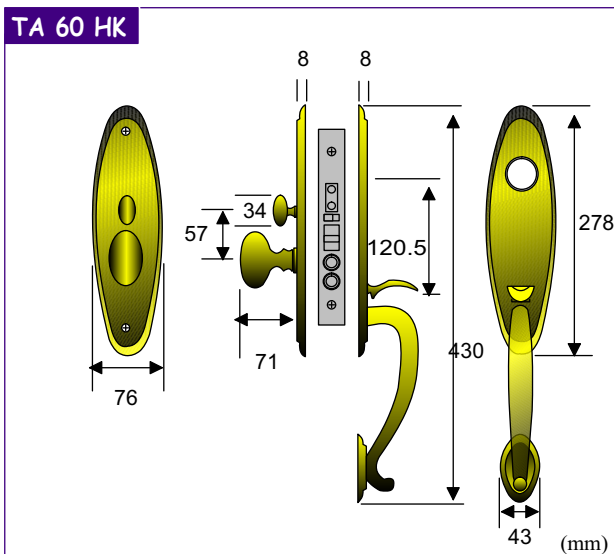
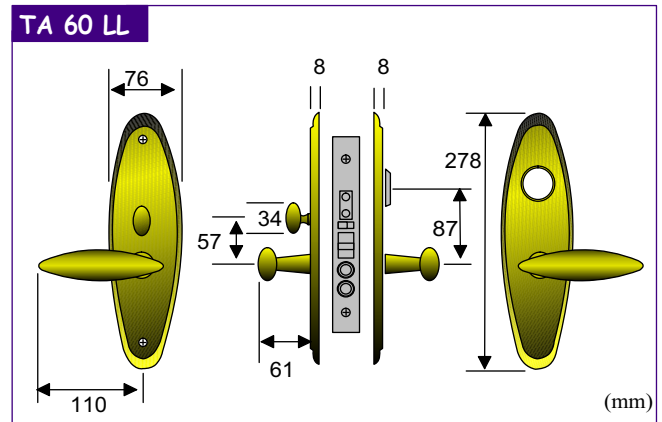
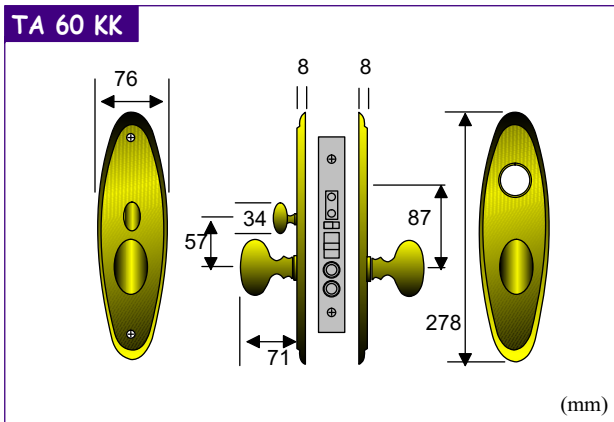
TA 50 KK



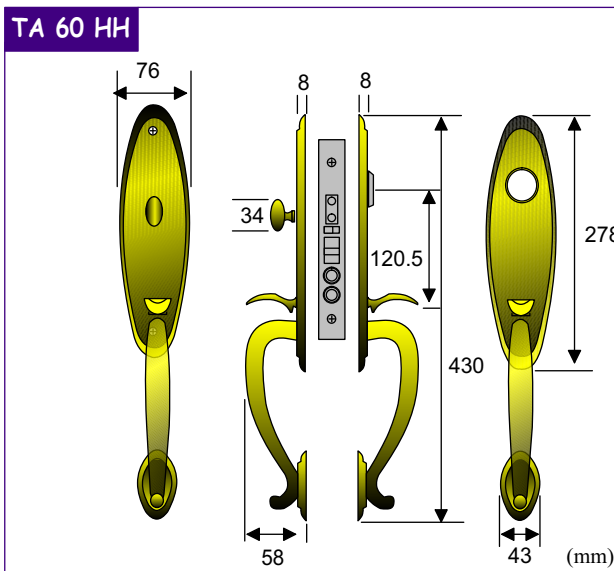
Material:
Forged Brass.
Hub size:
8mm Square

Finishes available:
US 10B, 6, PVD.

Remark :
Mortise Lock Case and Cylinder
are excluded. Please refer to
catalogue pages A01 to A21
for various lock functions,
Strike and the proper length
of cylinder.



T06

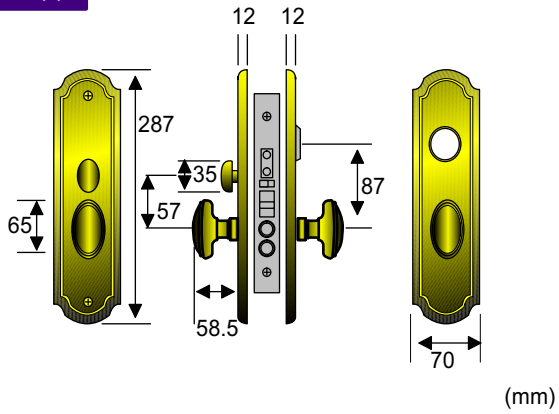


Material: Escutcheon - Forged brass
Lever/thumb piece - Forged Brass.
Hub size: 8mm Square

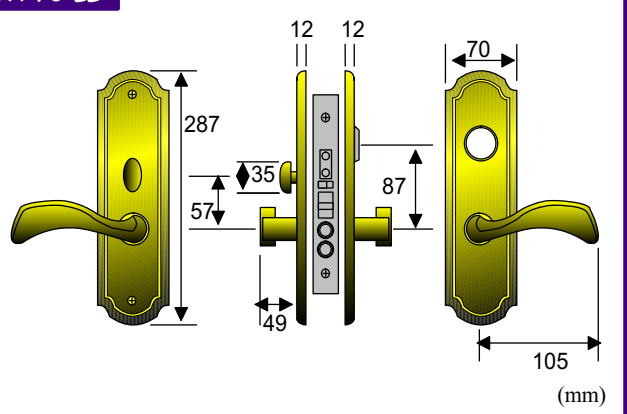
Finishes available:
US 10B, 15, 15A, 19, 26, 26D,
3, 5 and PVD.

Remark : Mortise Lock Case and Cylinder are excluded. Please refer to catalogue pages A01 to A21 for various lock functions, Strike and the proper length of cylinder.

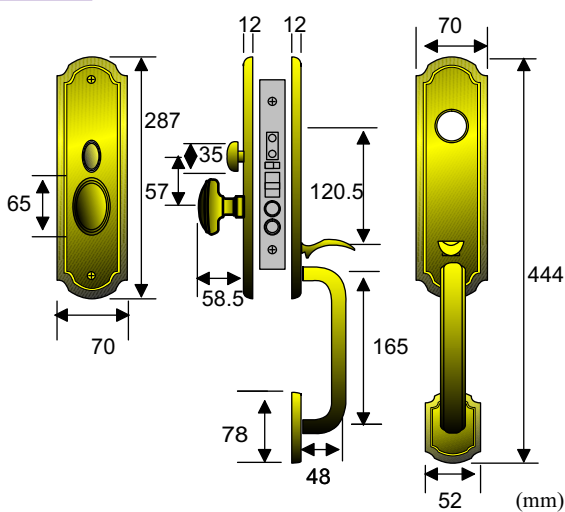
TA 70 KK



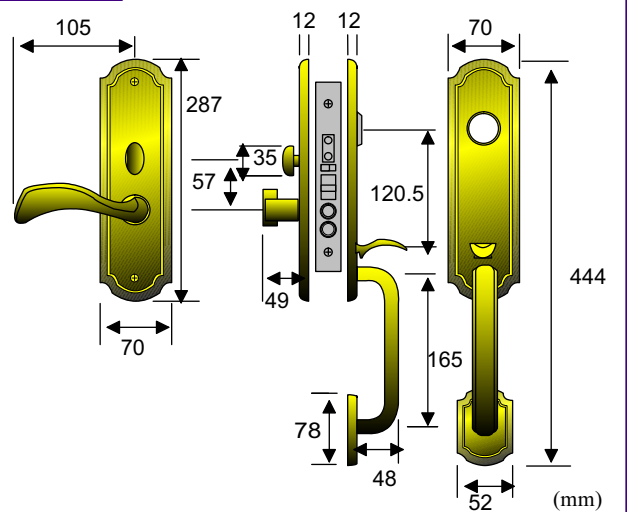
TA 70 LL



TA 70 HK



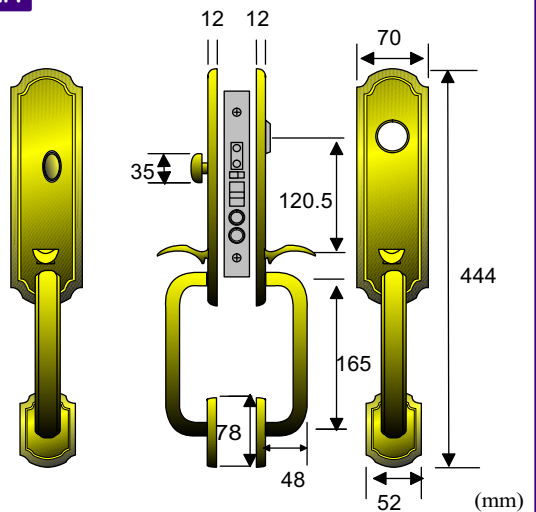
TA 70 HL



Material: Escutcheon - Forged Brass
Lever/thumb piece - Forged Brass.
Hub size: 8mm Square
Finishes available:
US 10B, 15, 15A, 19, 26, 26D,
3, 5 and PVD.

Remark : Mortise Lock Case and Cylinder are excluded. Please refer to catalogue pages A01 to A21 for various lock functions, Strike and the proper length of cylinder.

TA 70 HH

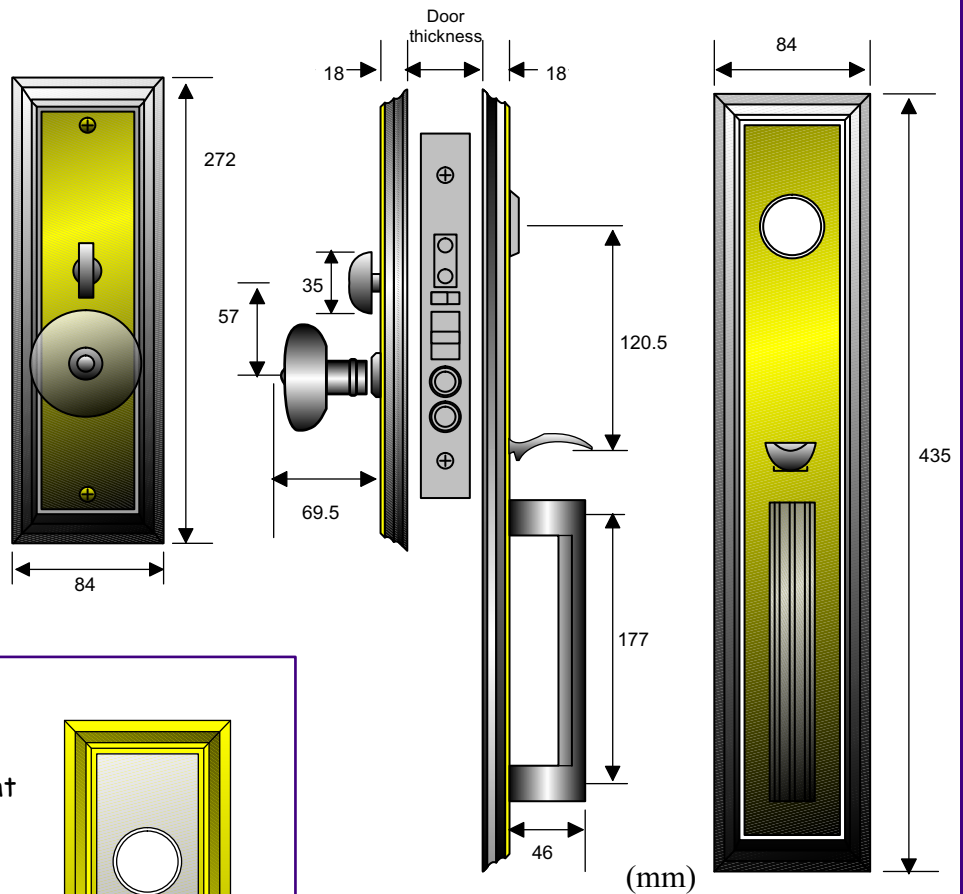


TA 80 HK

Two 2-tone finishes available:

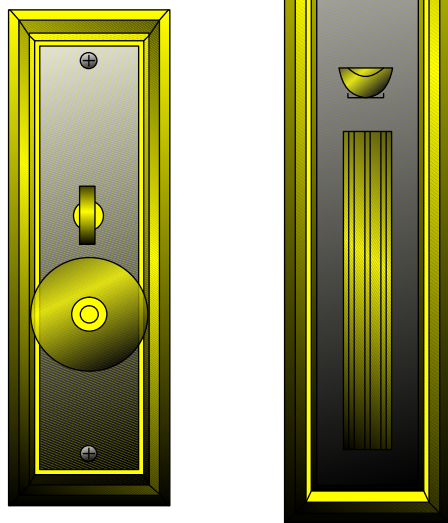
PC-A:
Escutcheon - Bright chrome frame with PVD plated front plate.

Knob/T.Turn/Thumb Piece/Handle - Bright Chrome



PC-B:
Escutcheon - PVD frame with bright chrome front plate

Knob/T.Turn/Thumb Piece and Handle - PVD 18K gold finish.



Material : Forged Brass
Hub size: 8mm Square
Finishes: US10B, PC-A, PC-B

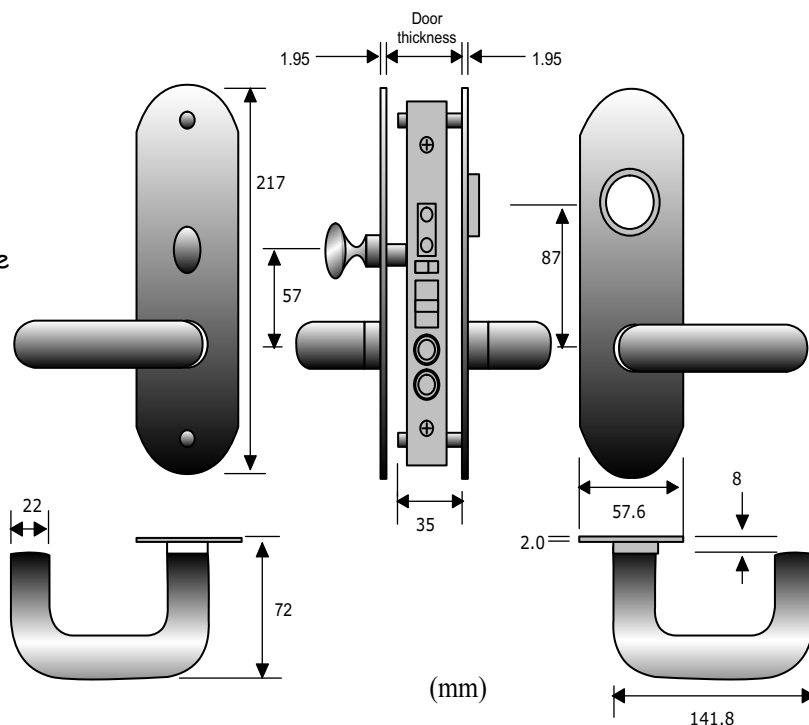
Remark :
Mortise Lock Case and Cylinder are excluded. Please refer to catalogue pages A01 to A21 for various lock functions, Strike and the proper length of cylinder.

TA 91 LL

Material :
Lever/escutcheon:
Stainless Steel
Hub size: 8.0mm on Square

Finish: US 32D

Remark:
Mortise Lock Case and
Cylinder are excluded.
Please refer to catalogue
pages A01 to A21 for various
lock functions, Strike and
the proper length of cylinder.



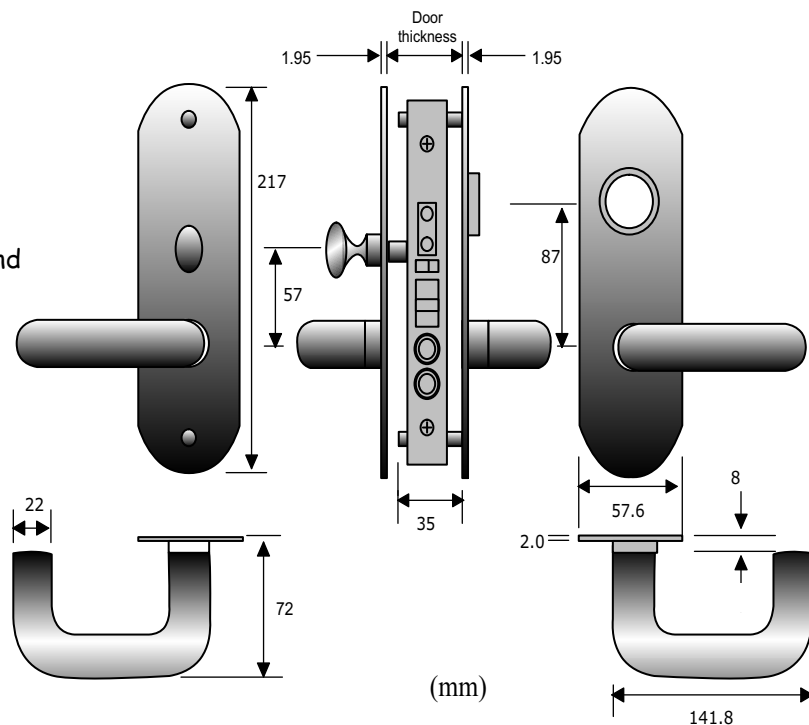
T09

TA 92 LL

Material :
Lever/escutcheon:
Stainless Steel
Hub size: 7.3mm on Diamond

Finish: US 32D

Remark:
Mortise Lock Case and
Cylinder are excluded.
Please refer to catalogue
pages A01 to A21 for various
lock functions, Strike and
the proper length of cylinder.



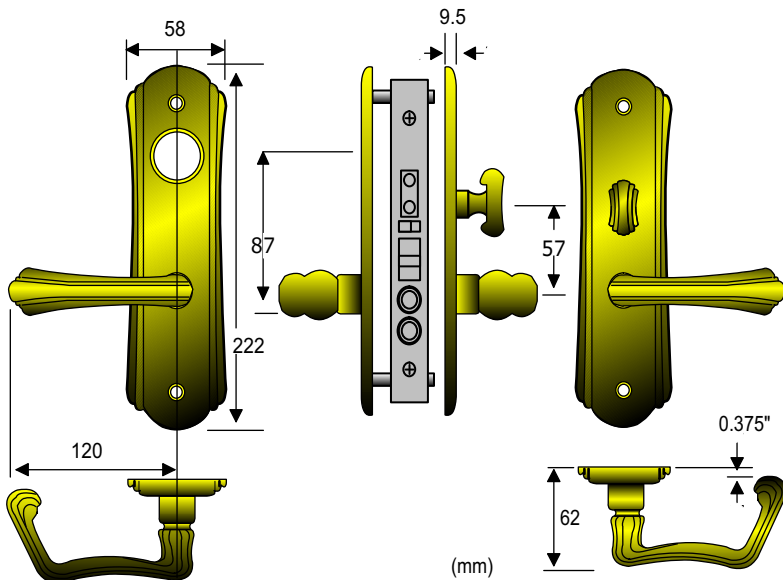
TA 95 LL

Material : Investment-cast stainless steel

Hub size: 8mm Square

Finishes :

- US32 Bright polished
- US32D Satin
- ZG32 Bright polished stainless steel and Zirconium/Gold
- ZG32D Satin stainless steel and Zirconium/Gold



Remark :

Mortise Lock Case and Cylinder are excluded. Please refer to catalogue pages 6 to 21 for various lock functions, Strike and the proper length of cylinder.

T10

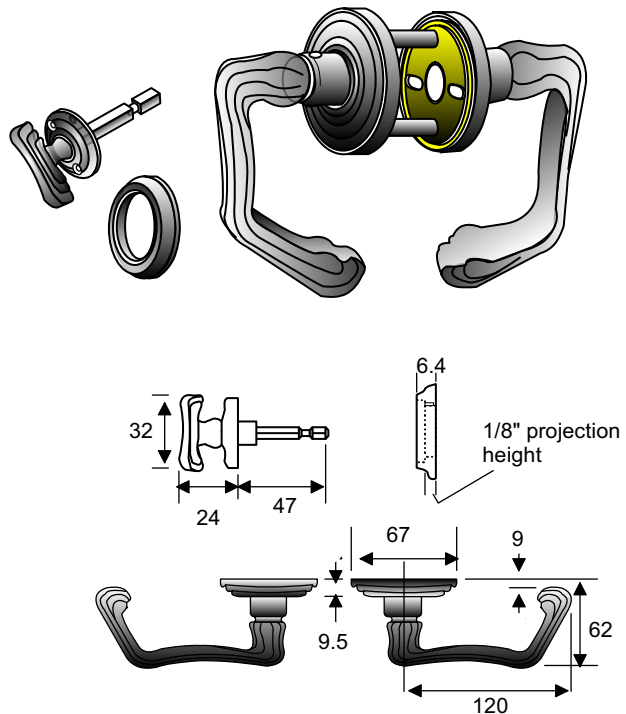
TA 96 LL

Material : Investment-cast stainless steel

Hub size: 8mm Square

Finishes :

- US32 Bright polished
- US32D Satin
- ZG32 Bright polished stainless steel and Zirconium/Gold
- ZG32D Satin stainless steel and Zirconium/Gold



Remark :

Mortise Lock Case and Cylinder are excluded. Please refer to catalogue pages A01 to A21 for various lock functions, Strike and the proper length of cylinder.

Baton Series 'TL' Lever Sets provide the ultimate in elegance, beauty and style. It will accommodate Baton's series 'LT' Tubular Latches. Please refer to pages L01 to L09 for options.

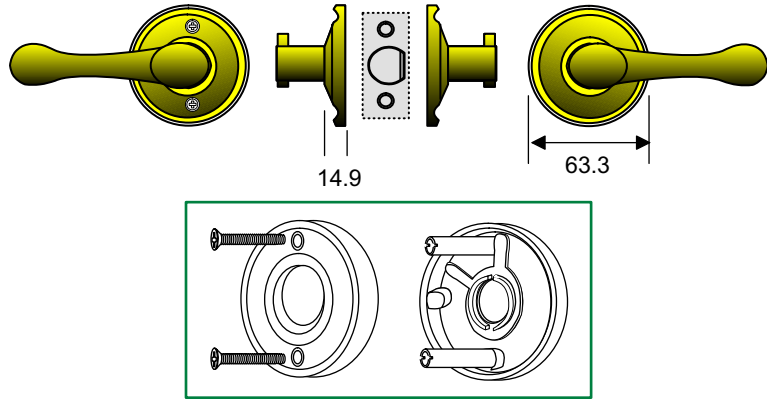
Three styles of Rosettes : Classic (C), Modern Large (M) and Modern Small (N) for your choice to adapt to the 8 styles of elegant Levers as shown on next page.

All rosettes are made of wrought brass and available in the following finishes:

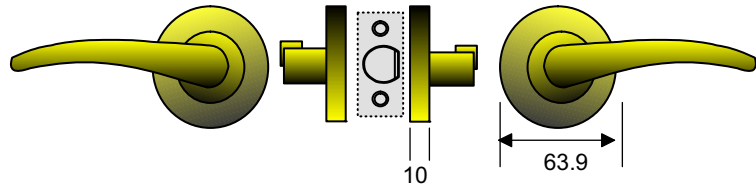
US10B, 15, 15A, 26, 3, 5 & PVD

Hub size: 8mm on square

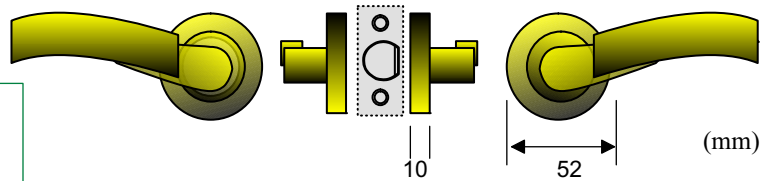
Classic style Rosette



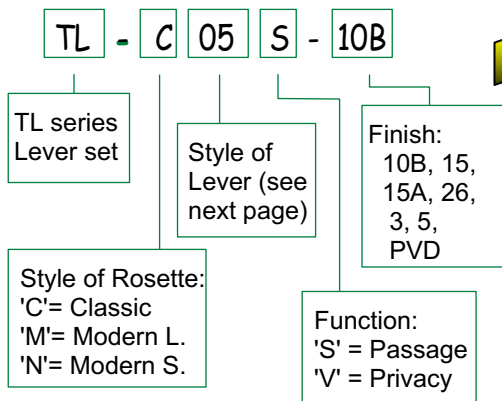
Modern style Rosette (L)



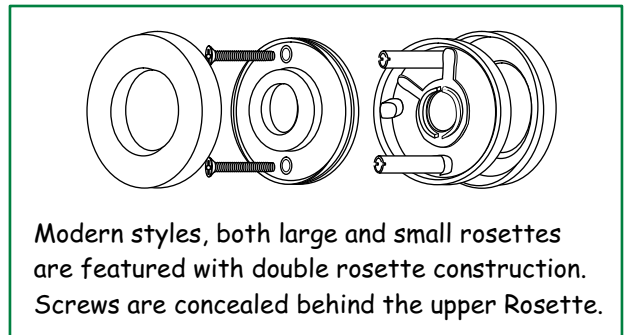
Modern style Rosette (S)



Code Interpretation Guide



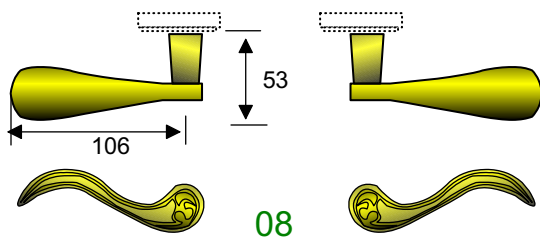
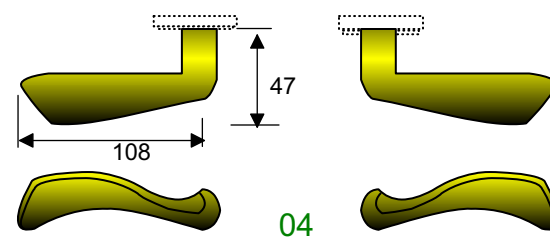
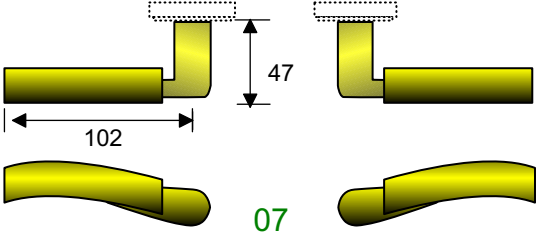
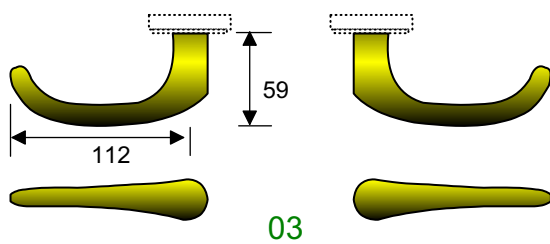
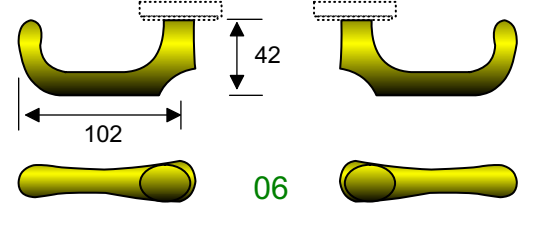
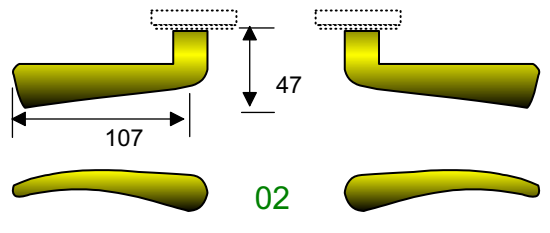
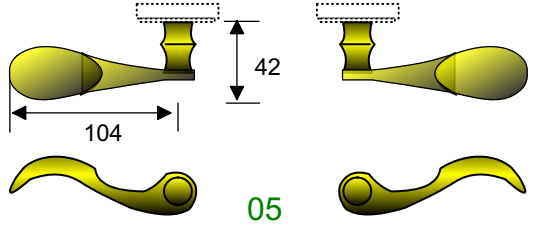
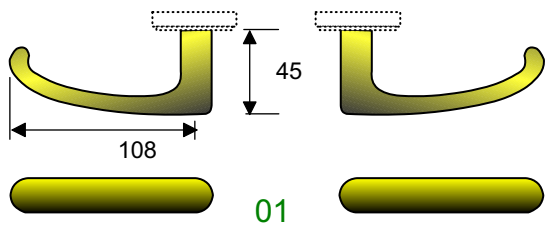
Model Nos.	Description	Finish
TL-C__	'U' type trim set	(See next page)
TL-M__	'V' type trim set	
TL-N__	'X' type trim set	



Latch is excluded. Please see pages L01~L12 for series 'LT' Passage or Privacy Latch, Mortise Bolt and related accessories.

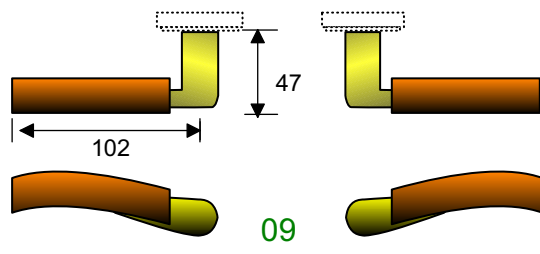
Forged Brass Classic & Modern Levers for Series 'TL' Lever Sets

The Levers shown below are designed to match with the Classic, Modern Large and Modern Small Rosette of series 'TL' Lever Sets as per described on page left. Various finishes are available to order.



T20

Model Nos.	Material	Finish
01, 02, 03, 04, 05, 06, 07, 08	Wrought brass	10B, 15, 15A, 26, 26D, 3, PVD
09	Wrought brass w/mahogany deco	26, PVD



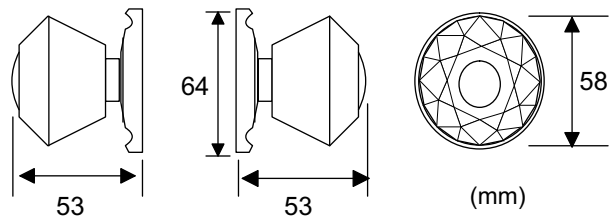
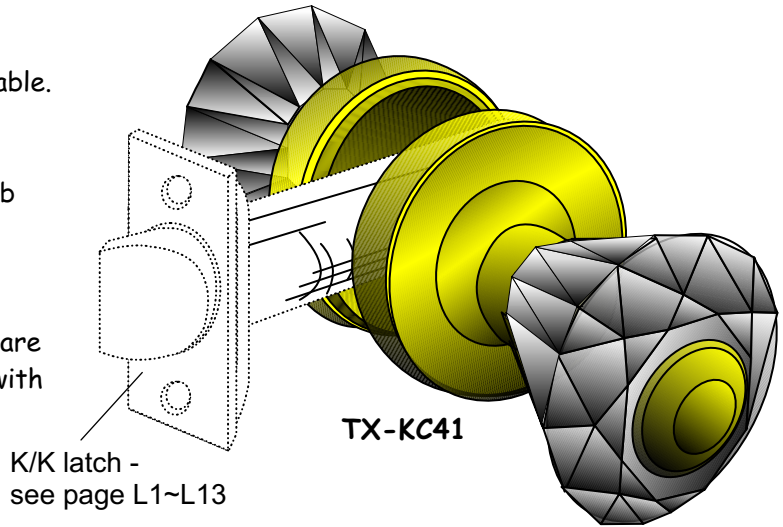
Series 'TX-K'
Crystal & Brass Knob Sets

Baton Series 'TX-K' Knob Sets combine style and beauty. Three models are available.

Model TX-KC41 is featured with 2-5/16" Crystal Glass Knobs. The Rosette and knob shank are made of brass. Finish: US26 & PVD

The knob of Models TX-KM53 and KM54 are made of forged brass, and are featured with a double Rosette design. The bolting screws are concealed behind the Snap-On upper Rosette. Both the upper and lower Rosettes are made of wrought brass. Hub size: 8mm on square

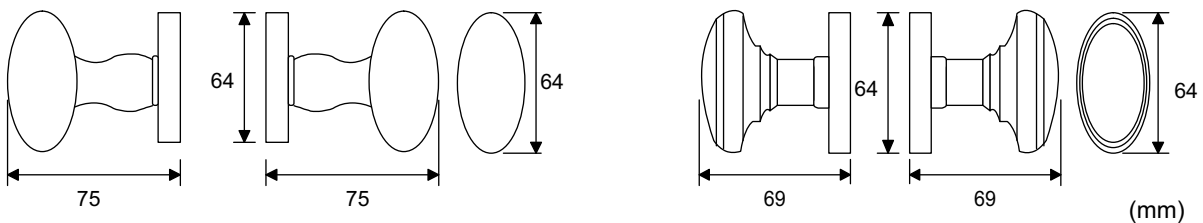
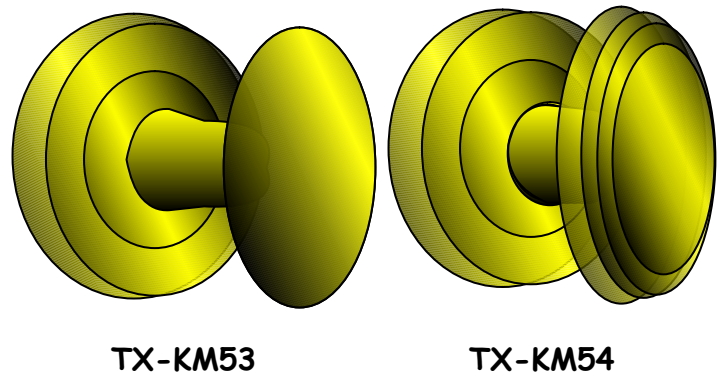
Finishes available :
US10B, 15, 15A, 26, 3 & PVD



Model Nos.	Description
TX-KC41	Knob set, Crystal glass
TX-KM53	Knob set, Forged brass
TX-KM54	Knob set, Forged brass

Latch and Mortise Lock case and Spindle are separate purchase items. Please refer to

- a) pages L01~L09 for Series 'LT' Tubular Latches and related accessories
- b) pages A01 to A10 for Series 'A' Mortise Lock Cases and
- c) pages D10, D11 and E01~E13 for Series 'D', 'E', 'F', 'G', 'K' Mortise Lock Cases
- d) page T25 for optional Spindles



Series TX-LJ Lever Sets are featured with Baton's LT-RA281 Rosette Adapter, coupled with stainless steel Rosettes and Levers.

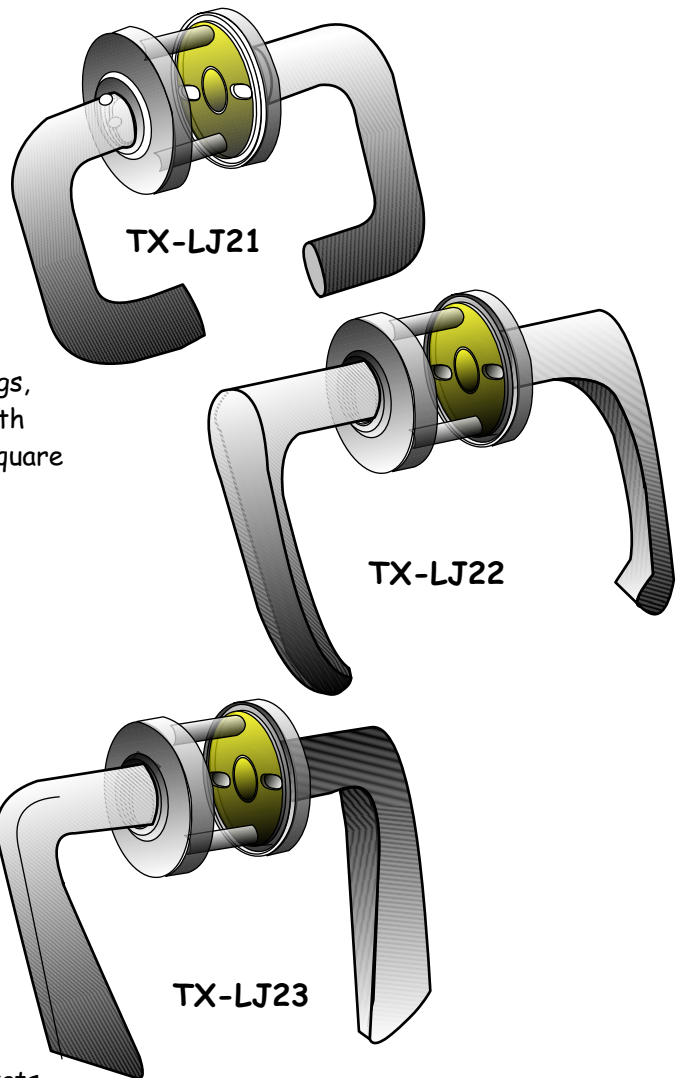
The concealed Mounting screw design allows these Lever sets to be used for series 'A' Mortise Lock, series 'F', 'E' Euro Mortise Lock, series 'D' Mortise Lock and series 'LT' Tubular Latches.

The package comes with 2 nylon spindle bushings, for 7.3mm and 8.0mm spindles, to ensure smooth and long lasting operation. Hub size: 8mm on square. Specify Passage or Privacy when ordering.

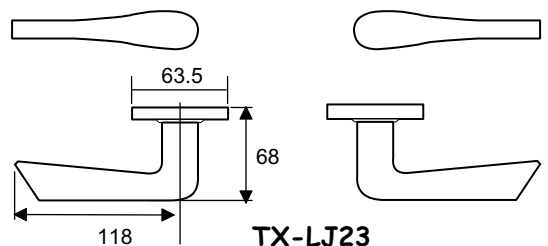
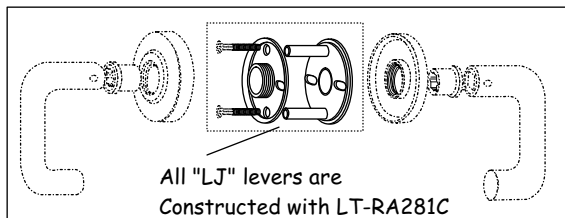
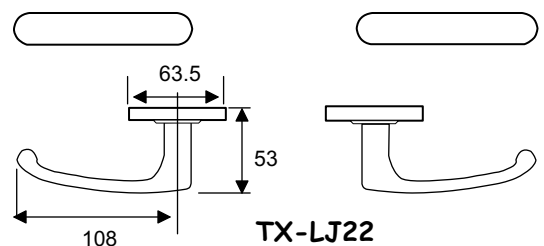
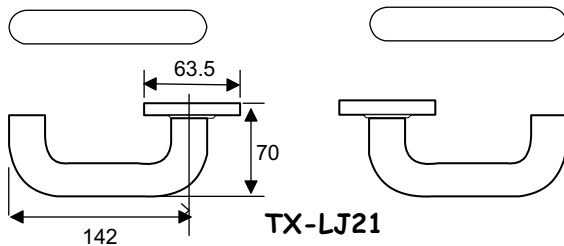
Stock No.	Description & finish
TX-LJ21	Lever set, US32D
TX-LJ22	Lever Set, US32D
TX-LJ23	Lever Set, US32D

Latch and Mortise Lock case and Spindle are separate purchase items. Please refer to

- a) pages L01~L17 for Series 'LT' Tubular Latches and related accessories
- b) pages A01 to A10 for Series 'A' Mortise Lock Cases and
- c) pages D10, D11 and E01~E13 for Series 'D', 'E', 'F', 'G', 'K' Mortise Lock Cases
- d) page X01~X02 for optional Spindles & brackets



T22

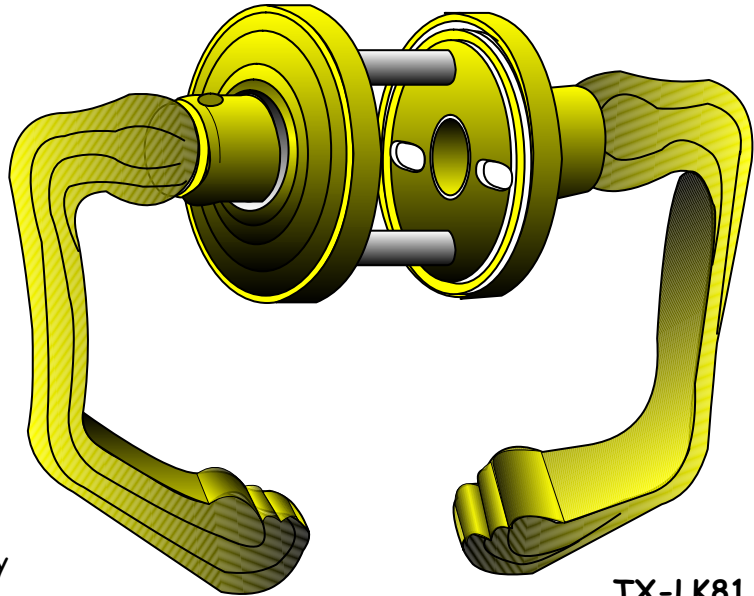


**Model TX-LK81 Classic Lever Set
- Solid Stainless Steel**

Baton Series TX-LK81 Lever Set combines elegance and classic beauty. The investment casting stainless steel solid Lever and 2mm thick Rosette are constructed with Baton's plug type Rosette Adapter (LT-RA281D). Bolting screws are concealed, and coupled with unmatched style and reliability.

The 1-1/2" center to center threaded post works with Series 'LT' Tubular Latch and Series 'A' Mortise Lock cases.

Hub size: 8mm on square. Please refer to page 83 for optional Spindles. Specify Passage or Privacy when ordering.

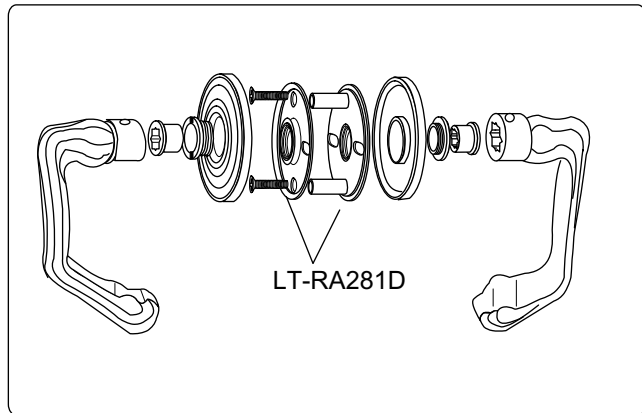


TX-LK81

T23

Finishes:

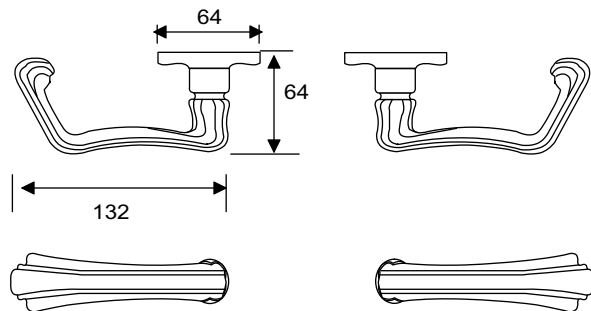
- US32 Bright polished stainless steel
- US32D Satin stainless steel
- ZG32 Bright polished stainless steel and Zirconium/Gold
- ZG32D Satin stainless steel and Zirconium/Gold



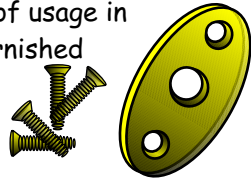
Sock No.	Description
TX-LK81	Classic Lever Set

Latch and Mortise Lock case and Spindle are separate purchase items. Please refer to

- a) pages L01~L09 for Series 'LT' Tubular Latches and related accessories
- b) pages A01 to A10 for Series 'A' Mortise Lock Cases and
- c) pages D10, D11 and E01~E13 for Series 'D', 'E', 'F', 'G', 'K' Mortise Lock Cases
- d) page T25 for optional Spindles



Baton series 'TX-T' Thumb Turns are made of forged brass. The optional 5mm square and breakable flat style steel spindles provide a wide range of usage in many applications. Furnished with front plate and mounting screws.

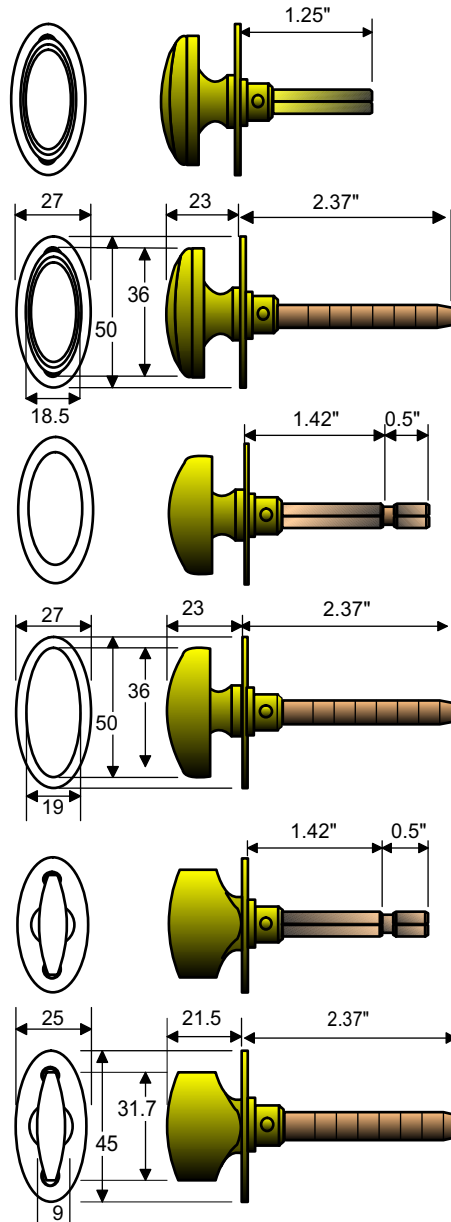
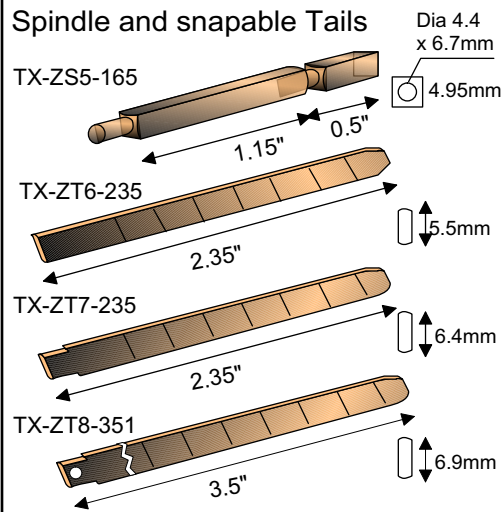


Finishes available:

TA - US10B, 15, 15A, 19, 26, 3

TB - US10B, 15, 26, 26D, 3, 3N

TD - US15, 26D, 3, 3N



- ◆ TX-TA 5D - 5mm/ Diamond
- TX-TA 5S - 5mm/Square
- ▬ TX-TA 6V - 0.215" (5.5mm)
- ▬ TX-TA 7V - 0.25" (6.4mm)
- ◆ TX-TB 5D - 5mm/ Diamond
- TX-TB 5S - 5mm/Square
- ▬ TX-TA 6V - 0.215" (5.5mm)
- ▬ TX-TA 7V - 0.25" (6.4mm)
- ◆ TX-TD 5D - 5mm/ Diamond
- TX-TD 5S - 5mm/Square
- ▬ TX-TA 6V - 0.215" (5.5mm)
- ▬ TX-TA 7V - 0.25" (6.4mm)

T24

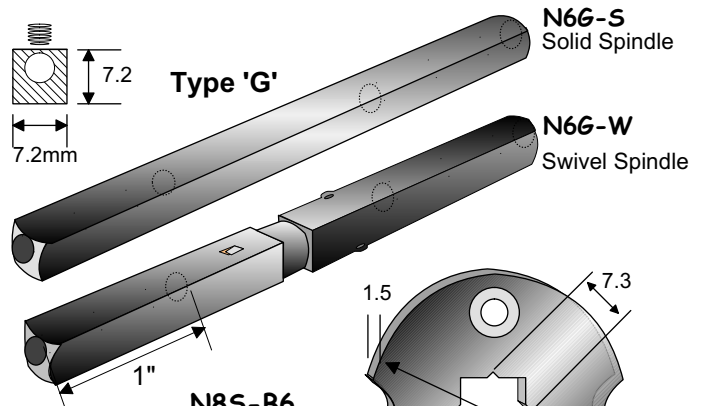
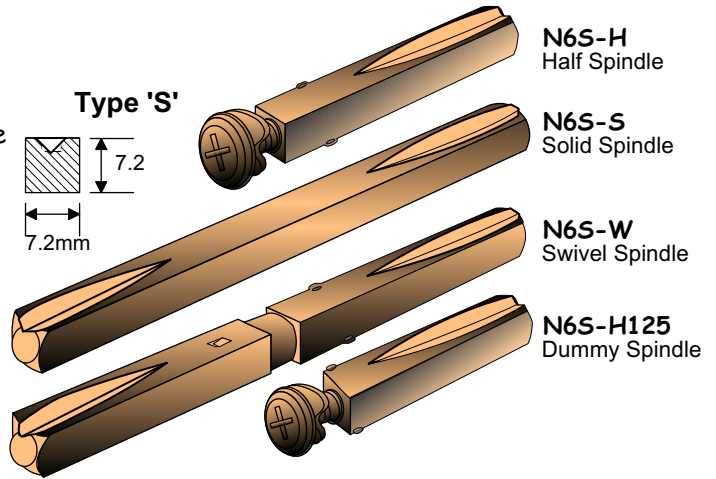
Model Nos.	Spindle type	Hub styles to fit	Baton products to fit
TX-TA 5D TX-TB 5D TX-TD 5D	5mm on Diamond ◆		Mortise lock case series A & C, D Mortise bolts LT245MB, LT780/783/786MB Dead bolt latch D400-DA/DB/DC/DF/DH
TX-TA 5S TX-TB 5S TX-TD 5S	5mm on Square ■		LT245MB and Euro style latch/bolt comes with 5mm on square hub
TX-TA 6V TX-TB 6V TX-TD 6V	0.215" W on Vertical ▬		Mortise lock case series A, Hook lock C275HX, Mortise bolt LT245MB, LT780/ 783/786 w/5mm on Diamond hub
TX-TA 7V TX-TB 7V TX-TD 7V	0.25" W. on Vertical ▬		Mortise lock cases seroes D500, D600 Deadbolt latches D4

Series 'N6S'/'N6G' Spindles, Spindle Bracket and Dummy Units

Spindles

Baton's series 'N6S' and 'N6G' Spindles are made of wrought steel for 7.3mm hub. Available with the following models:

- Half Spindle -
for Grip Handle on one side with interior Knob/Lever trim (HL or HK).
- Solid Spindle -
one piece construction, for Passage.
- Swivel Spindle -
for Privacy and Entrance.



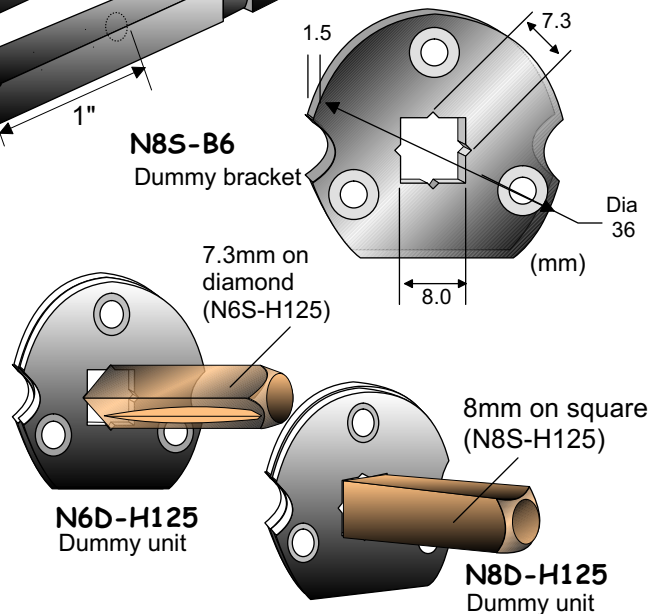
Stock No.		Description
Type S	Type G	
N6S-H125	-----	Dummy Spindle 1.25"
N6S-H275	-----	Half Spindle 2.75"
-----	N6G-S400	Solid Spindle 4"
N6S-S450	N6G-S450	Solid Spindle 4.5"
N6S-S500	-----	Solid Spindle 5"
N6S-W400	N6G-W400	Swivel Spindle 4"
N6S-W450	N6G-W450	Swivel Spindle 4.5"
N6S-W500	-----	Swivel Spindle 5"

X01

Dummy Bracket

Dummy bracket is made of Stainless steel, formed with 7.3mm on diamond plus 8mm on square broaching, can be accommodated with both 7.3mm or 8.0mm spindles:

- a) Half Spindle for single side dummy trim
- b) Solid Spindle for double side dummy trim
- c) Swivel Spindle for one side dummy other side active

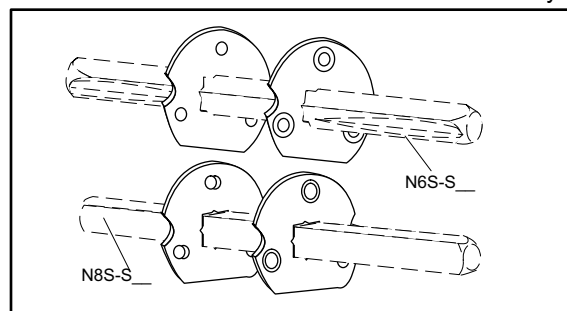


Dummy Units

To fix with N6S-H125 on diamond or N8S-H125 on double thick dummy bracket as Dummy unit.

Furnished with 3/4" wood screws x 3

Stock No.	Description
N8S-B6	Spindle Bracket, for 7.3 & 8mm Spindles
N6D-H125	Dummy Unit w/ 7.3 mm x 1.25" spindle
N8D-H125	Dummy Unit w/ 8mm x 1.25" spindle

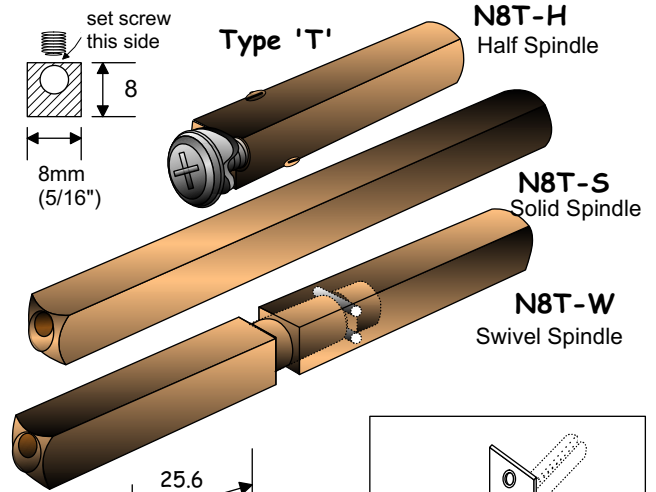
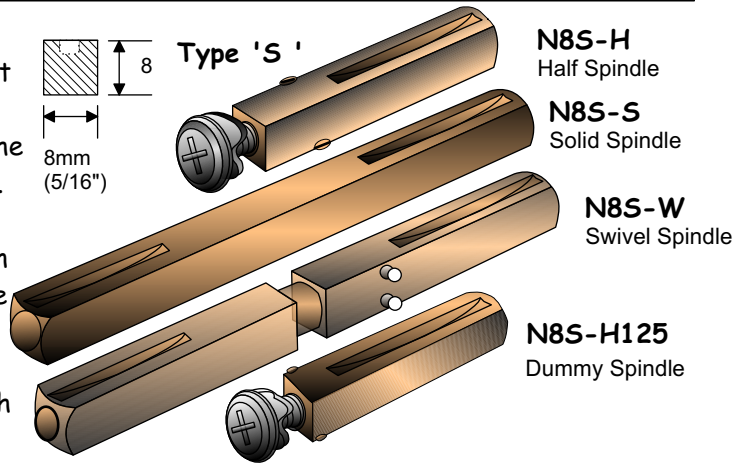


Series 'N8' Spindle, Dummy Bracket Hub Sleeve - 8mm

Spindles

Baton's series 'N' Spindles are made of wrought steel for 8mm hub. Two styles are available: 'NS' Spindles feature groove cut, facilitating the set screw of Knob/Lever mount without slipping. 'NT' Spindles feature a 7/16" off-center hole drilled to allow the pointed set screw to stick on to the spindle. Both styles are available with the following models:

- Dummy Spindle
- Half Spindle - for Grip Handle on one side with interior Knob/Lever trim (HL or HK).
- Solid Spindle - one piece construction, for Passage.
- Swivel Spindle - for Privacy and Entrance.



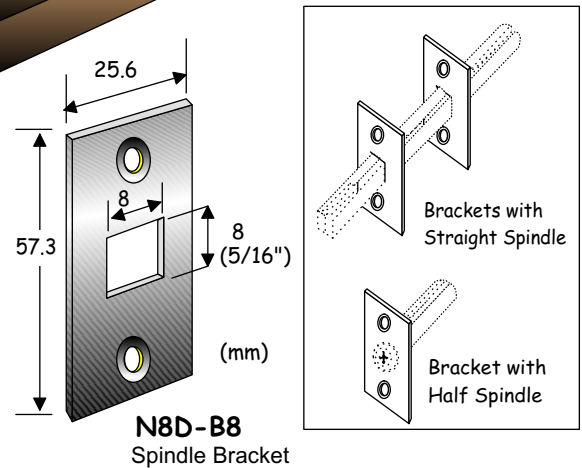
Stock No.		Description
Type S	Type T	
N8S-H 125	-----	Dummy Spindle 1.25"
N8S-H 275	-----	Half Spindle 2.5"
-----	N8T-H 350	Half Spindle 3.5"
N8S-S 400	N8T-S 400	Solid Spindle 4"
-----	N8T-S 437	Solid Spindle 4.375"
N8S-S 450	-----	Solid Spindle 4.5"
N8S-S 500	N8T-S 500	Solid Spindle 5"
-----	N8T-S 700	Solid Spindle 7"
N8S-W 400	N8T-W 400	Swivel Spindle 4"
-----	N8T-W 437	Swivel Spindle 4.375"
N8S-W 450	N8T-W 450	Swivel Spindle 4.5"
NS8-W 500	N8T-W 500	Swivel Spindle 5"
-----	N8T-W 700	Swivel Spindle 7"

X02

Spindle Bracket- for Dummy trim

Stainless steel, can be accommodated with

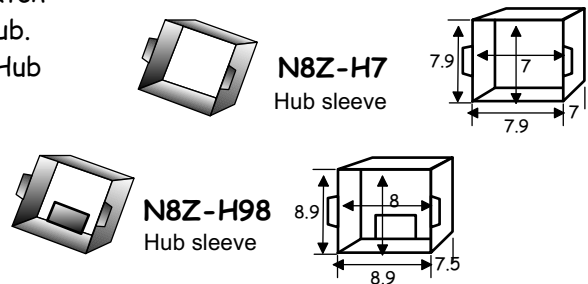
- Half Spindle for single side dummy trim mount,
- Straight Spindle for double side dummy trim mount, or c) Swivel Spindle for one side dummy and other side active.



Hub Sleeve 7x7mm

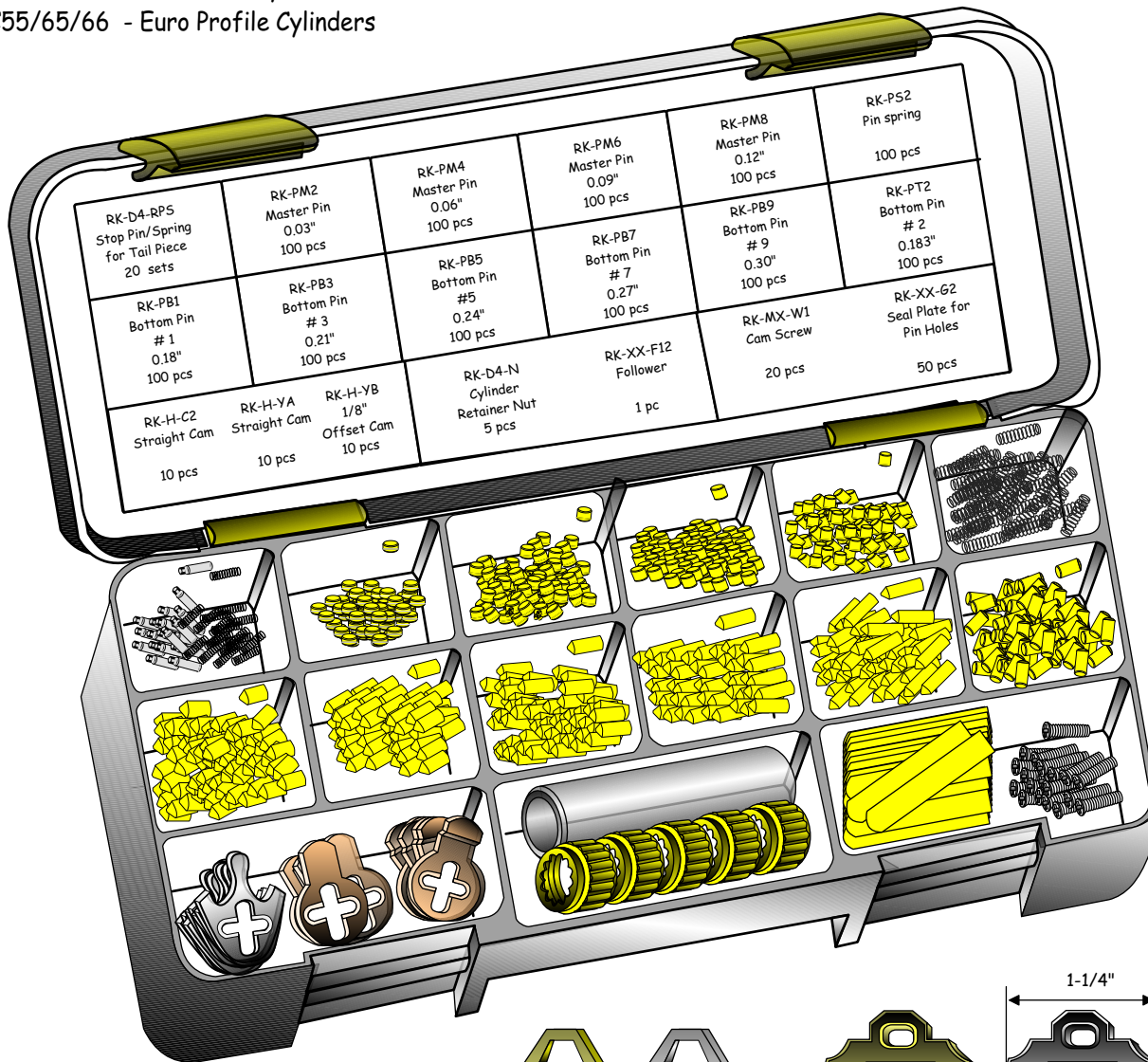
- for converting a mortise lock case or Tubular Latch to take a 7x7mm spindle from a regular 8mm Hub.
- For the split hub application, simply insert the Hub Sleeve from each side of the Hubs.

Stock No.	Description
N8D-B8	Spindle Bracket, w/2 screws
N8Z-H7	Hub Sleeve 8mm hub to 7mm spindle
N8Z-H98	Hub Sleeve 9mm hub for 8mm spindle



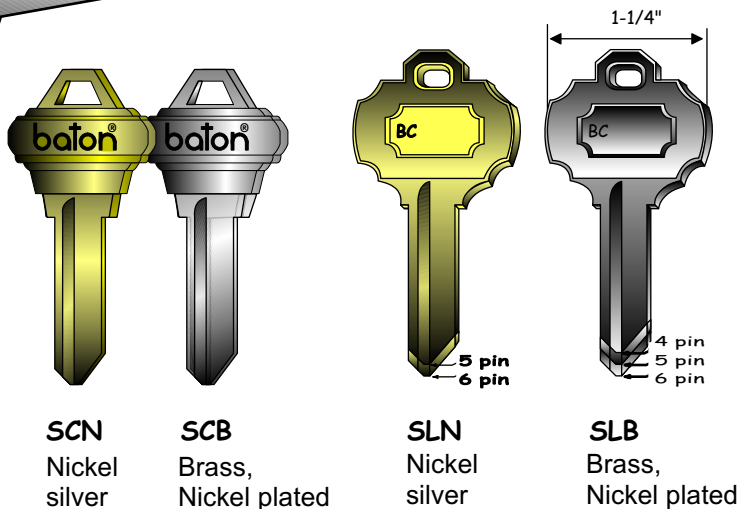
Model RK-20 Rekeying Kit & SB/SL Key Blanks

This rekeying pin kit is designed for Baton cylinders that are stamped with 'BC' code or other compatible cylinders.
 AC29/30/31 - Mortise Cylinders, D400-AK5/AK6 - Key in knob Cylinders
 D400-AS/AD - Deadbolt Cylinders D421/422/461/462 - Deadbolts
 EC55/65/66 - Euro Profile Cylinders



X03

Stock No.	Description
RK-20	Rekeying Pin Kit
RK-SCB-KB6	6 pin, brass/nickel plated
RK-SCN-KB6	6 pin, nickel silver
RK-SLB-KB4	4 pin, brass/nickel plated
RK-SLB-KB5	5 pin, brass/nickel plated
RK-SLB-KB6	6 pin, brass/nickel plated
RK-SLN-KB5	5 pin, nickel silver
RK-SLN-KB6	6 pin, nickel silver



SCN
Nickel silver

SCB
Brass, Nickel plated

SLN
Nickel silver

SLB
Brass, Nickel plated

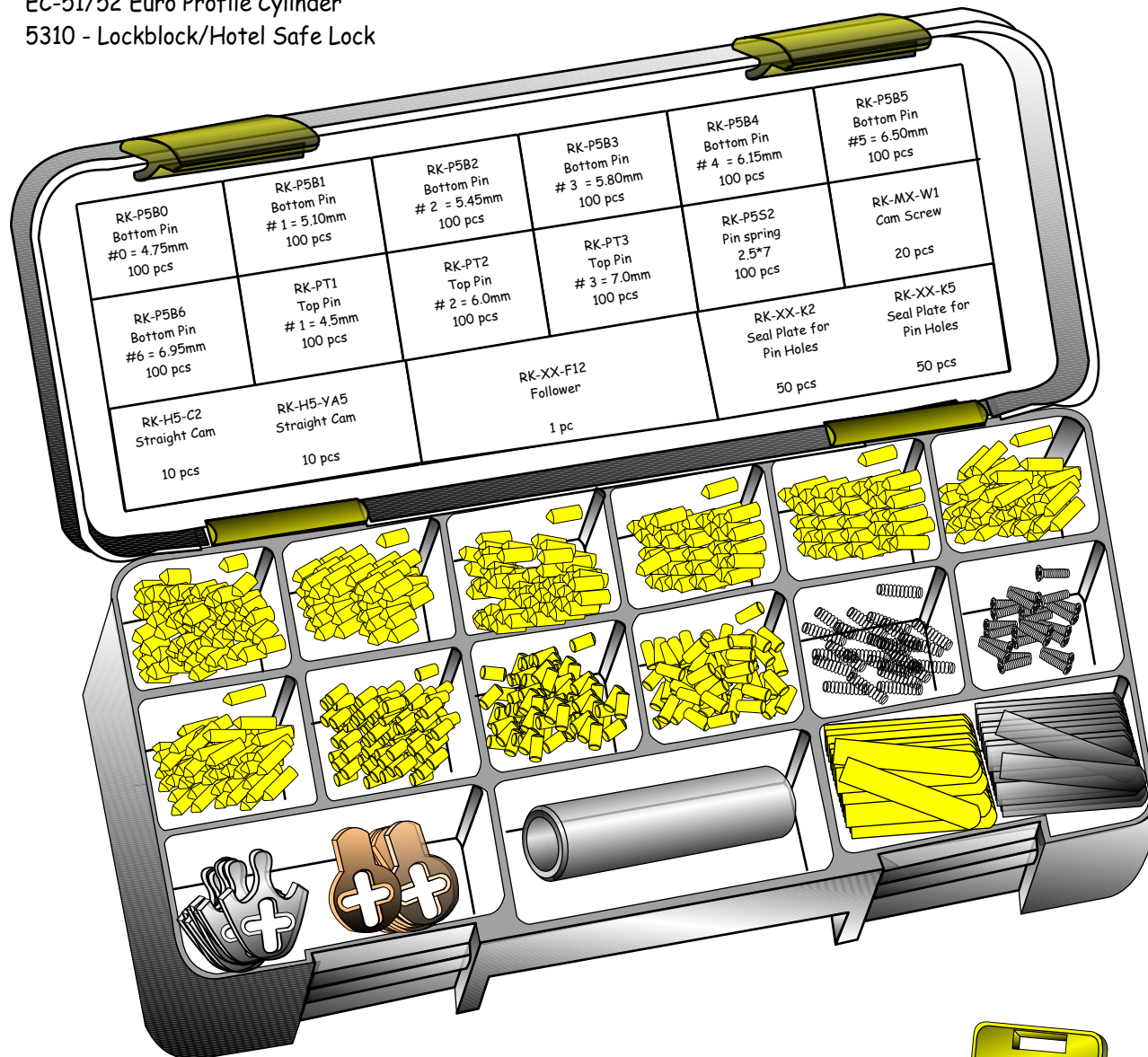
Model RK-20D Rekeying Kit

This rekeying pin kit is designed for the Baton cylinder that is constructed with 2.5mm in diameter pins:

AC26 - Mortise Cylinders

EC-51/52 Euro Profile Cylinder

5310 - Lockblock/Hotel Safe Lock



X04

Stock No.	Description
RK-20D RK-F7-KB6	Rekeying Pin Kit - dimple system Key blank, f/5300 and AC26, nickel silver

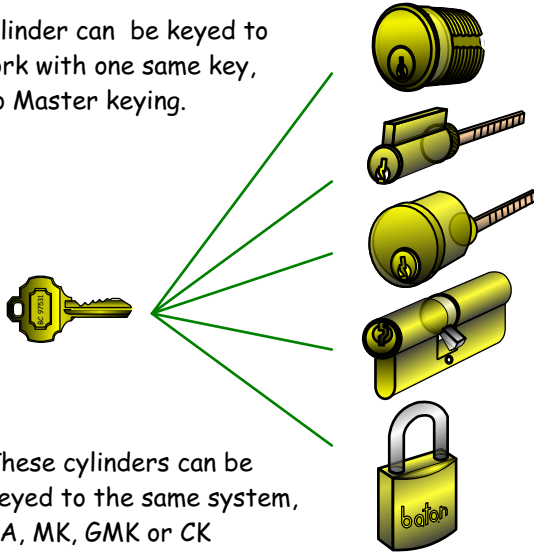


RK-F7-KB6
Key blank

Baton's series 'AC', 'D4' and 'EC' cylinders that are constructed with 'Schlage-C' keyway, can be keyed to Keyed Alike (KA), Master Keying (MK), Grand Master Keying (GMK) or Construction Keying (CK1, CK2). Please call our CSR for the details.

KA - Keyed Alike - one key fits all

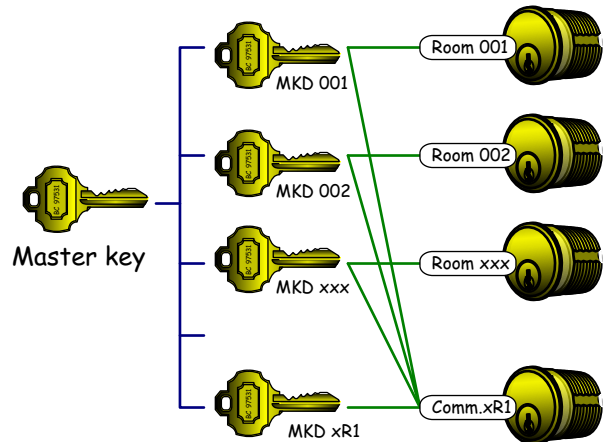
Cylinder can be keyed to work with one same key, No Master keying.



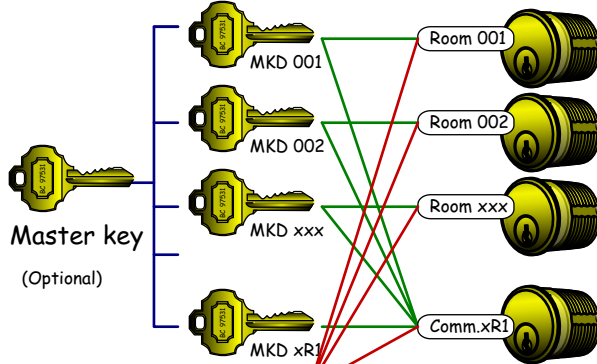
These cylinders can be keyed to the same system, KA, MK, GMK or CK

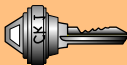
MK - Master Keying


Each lock is operative with it's own key; the management has one key that operates all locks within the system



CK - Construction Keying

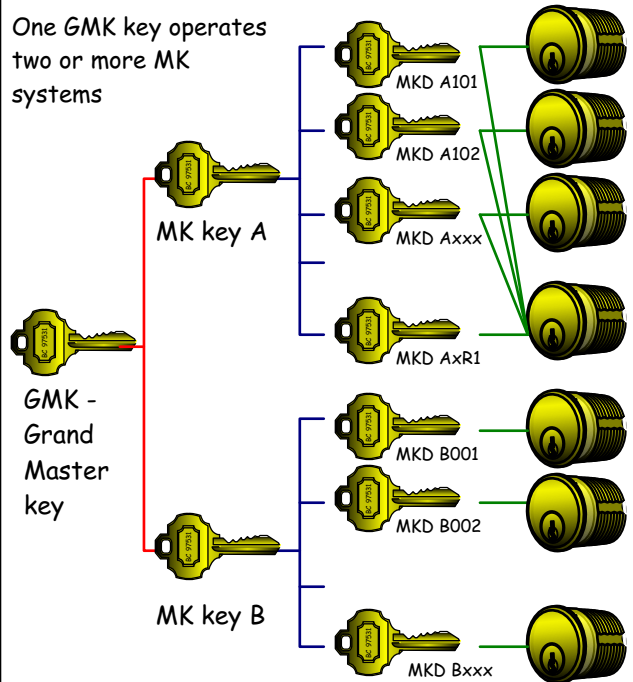


 Construction key - Level 1
Voided after any of the Construction key Level 2, individual key, or Master key is operated

 Construction key - Level 2
Voids the construction key Level 1. Voided after the individual key or MK key is operated.

GMK - Grand Master Keying

One GMK key operates two or more MK systems



Measurement Chart - Inch vs. MM

Inch	MM	MM
1/16"	0.0625"	1.5875
1/8"	0.1250"	3.1750
3/16"	0.1875"	4.7625
1/4"	0.2500"	6.3500
5/16"	0.3125"	7.9375
3/8"	0.3750"	9.5250
7/16"	0.4375"	11.1125
1/2"	0.5000"	12.7000
9/16"	0.5625"	14.2875
5/8"	0.6250"	15.8750
11/16"	0.6875"	17.4625
3/4"	0.7500"	19.0500
13/16"	0.8125"	20.6375
7/8"	0.8750"	22.2250
15/16"	0.9375"	23.8125
1"	1.0000"	25.4000

Inch	MM	MM
1-1/16"	1.0625"	26.9875
1-1/8"	1.1250"	28.5750
1-3/16"	1.1875"	30.1625
1-1/4"	1.2500"	31.7500
1-5/16"	1.3125"	33.3375
1-3/8"	1.3750"	34.9250
1-7/16"	1.4375"	36.5125
1-1/2"	1.5000"	38.1000
1-9/16"	1.5625"	39.6875
1-5/8"	1.6250"	41.2750
1-11/16"	1.6875"	42.8625
1-3/4"	1.7500"	44.4500
1-13/16"	1.8125"	46.0375
1-7/8"	1.8750"	47.6250
1-15/16"	1.9375"	49.2125
2"	2.0000"	50.8000

Inch	MM	MM
2-1/16"	2.0625"	52.3875
2-1/8"	2.1250"	53.9750
2-3/16"	2.1875"	55.5625
2-1/4"	2.2500"	57.1500
2-5/16"	2.3125"	58.7375
2-3/8"	2.3750"	60.3250
2-7/16"	2.4375"	61.9125
2-1/2"	2.5000"	63.5000
2-9/16"	2.5625"	65.0875
2-5/8"	2.6250"	66.6750
2-11/16"	2.6875"	68.2625
2-3/4"	2.7500"	69.8500
2-13/16"	2.8125"	71.4375
2-7/8"	2.8750"	73.0250
2-15/16"	2.9375"	74.6125
3"	3.0000"	76.2000

Inch	MM	MM
3-1/16"	3.0625"	77.7875
3-1/8"	3.1250"	79.3750
3-3/16"	3.1875"	80.9625
3-1/4"	3.2500"	82.5500
3-5/16"	3.3125"	84.1375
3-3/8"	3.3750"	85.7250
3-7/16"	3.4375"	87.3125
3-1/2"	3.5000"	88.9000
3-9/16"	3.5625"	90.4875
3-5/8"	3.6250"	92.0750
3-11/16"	3.6875"	93.6625
3-3/4"	3.7500"	95.2500
3-13/16"	3.8125"	96.8375
3-7/8"	3.8750"	98.4250
3-15/16"	3.9375"	100.0125
4"	4.0000"	101.6000

Inch	MM	MM
4-1/16"	4.0625"	103.1875
4-1/8"	4.1250"	104.7750
4-3/16"	4.1875"	106.3625
4-1/4"	4.2500"	107.9500
4-5/16"	4.3125"	109.5375
4-3/8"	4.3750"	111.1250
4-7/16"	4.4375"	112.7125
4-1/2"	4.5000"	114.3000
4-9/16"	4.5625"	115.8875
4-5/8"	4.6250"	117.4750
4-11/16"	4.6875"	119.0625
4-3/4"	4.7500"	120.6500
4-13/16"	4.8125"	122.2375
4-7/8"	4.8750"	123.8250
4-15/16"	4.9375"	125.4125
5"	5.0000"	127.0000

Inch	MM	MM
5-1/16"	5.0625"	128.5875
5-1/8"	5.1250"	130.1750
5-3/16"	5.1875"	131.7625
5-1/4"	5.2500"	133.3500
5-5/16"	5.3125"	134.9375
5-3/8"	5.3750"	136.5250
5-7/16"	5.4375"	138.1125
5-1/2"	5.5000"	139.7000
5-9/16"	5.5625"	141.2875
5-5/8"	5.6250"	142.8750
5-11/16"	5.6875"	144.4625
5-3/4"	5.7500"	146.0500
5-13/16"	5.8125"	147.6375
5-7/8"	5.8750"	149.2250
5-15/16"	5.9375"	150.8125
6"	6.0000"	152.4000

X06



- The Lock Company